



Installation & Operator's Manual Guide d'Installation et d'Utilisation Manual de Instalación y del Operario

Questions? Help is just a moment away!

Preguntas? La ayuda es justa
un momento lejos!

Vous avez des questions? Vous n'avez pas
besoin d'aller loin pour trouver de l'aide!

Call: **Helpline**

Llamada: **Línea Directa**

Appelez: **Ligne Directe**

1-800-743-4115 M-F 8-5 CT

Web: www.briggsandstratton.com



Power Management System



c  US
1008 LISTED

Model 071013 Part No. 198113GS
Rev. B (02/06/2007)


TABLE OF CONTENTS


TABLE OF CONTENTS

TABLE OF CONTENTS	2	Power Wiring Interconnections	7-8
IMPORTANT SAFETY INSTRUCTIONS	3	System Setup	8
INTRODUCTION	4	Wiring Decal	9
For the Home Owner:	4	SPECIFICATIONS	10
For the Installing Dealer/Contractor:	4	SYSTEM OPERATION	10
Owner Orientation	5	TESTING THE POWER MANAGEMENT SYSTEM	10
Installer Responsibilities	5	When Calling The Factory	10
Equipment Description	5	TROUBLESHOOTING	11
INSTALLATION	6	WORKSHEET	12
Unpacking	6	EXPLODED VIEW & PARTS LIST	13
Delivery Inspection	6	NOTES	14
Shipment Contents	6	WARRANTY	15
Mounting Guidelines	6		

SAVE THESE INSTRUCTIONS



IMPORTANT SAFETY INSTRUCTIONS



 This is the safety alert symbol. It is used to alert you to potential personal injury hazards. Obey all safety messages that follow this symbol to avoid possible injury or death.



The safety alert symbol () is used with a signal word (DANGER, CAUTION, WARNING), a pictorial and/or a safety message to alert you to hazards. **DANGER** indicates a hazard which, if not avoided, *will* result in death or serious injury. **WARNING** indicates a hazard which, if not avoided, *could* result in death or serious injury. **CAUTION** indicates a hazard which, if not avoided, *might* result in minor or moderate injury. **CAUTION**, when used **without** the alert symbol, indicates a situation that could result in equipment damage. Follow safety messages to avoid or reduce the risk of injury or death.

The manufacturer cannot possibly anticipate every possible circumstance that might involve a hazard. The warnings in this manual, and the tags and decals affixed to the unit are, therefore, not all-inclusive. If you use a procedure, work method or operating technique that the manufacturer does not specifically recommend, you must satisfy yourself that it is safe for you and others. You must also make sure that the procedure, work method or operating technique that you choose does not render the power management system unsafe.

 WARNING
Only qualified electricians should attempt installation of this system, which must strictly comply with applicable codes, standards and regulations.

 WARNING
 Low voltage wire cannot be installed in same conduit as power voltage wiring.
<ul style="list-style-type: none"> • Failure to follow above warning could cause personal injury, damage and/or malfunction of equipment.

 WARNING
 Failure to properly ground power management system can result in electrocution.
<ul style="list-style-type: none"> • DO NOT touch bare wires. • DO NOT use power management system with worn, frayed, bare or otherwise damaged wiring. • DO NOT handle electrical cords while standing in water, while barefoot, or while hands or feet are wet. • If you must work around a unit while it is operating, stand on an insulated dry surface to reduce shock hazard. • DO NOT allow unqualified persons or children to operate or service power management system. • In case of an accident caused by electrical shock, immediately shut down all sources of electrical power and contact local authorities. Avoid direct contact with the victim.

 WARNING
 Power management system contains high voltage that can cause personal injury or death.
<ul style="list-style-type: none"> • Despite the safe design of the power management system, operating this equipment imprudently, neglecting its maintenance or being careless can cause possible injury or death.

CAUTION
Improper treatment of power management system can damage it and shorten its life.
<ul style="list-style-type: none"> • Use power management system only for intended uses. • If you have questions about intended use, ask dealer or contact Briggs and Stratton Power Products. • DO NOT expose power management system to excessive moisture, dust, dirt, or corrosive vapors. • Remain alert at all times while working on this equipment. NEVER work on the equipment when you are physically or mentally fatigued. • If connected devices overheat, turn them off and turn off their circuit breaker/fuse.

INTRODUCTION

Thank you for your purchase of this Briggs & Stratton Power Management System. This product is intended for use with Briggs & Stratton Automatic Transfer Switches and Home Standby Generators **ONLY**. This is an optional automated system that will control the distribution of power from a home standby system (generator) to selected household loads.

Briggs and Stratton (B&S) has made every effort to provide for a safe, streamlined and cost-effective installation. As each installation is unique, it is impossible to know of and advise of all conceivable procedures and methods by which installation might be achieved. We do not know all possible hazards and/or the results of each method or procedure. For these reasons,

Only licensed electrical contractors should install power management systems. Installations must strictly comply with all applicable federal, state and local codes, standards and regulations.

Your B&S power management system is supplied with this combined "Installation and Operator's Manual". This is an important document and should be retained by the owner after the installation has been completed.

Every effort has been expended to make sure that the information in this manual is both accurate and current. However, the manufacturer reserves the right to change, alter or otherwise improve the system at any time without prior notice.

For the Home Owner

To help you make informed choices and communicate effectively with your installation contractor(s),

Read and understand the Owner Orientation Section of this manual BEFORE contracting or starting your power management system installation.

To arrange for proper installation, contact the store at which you purchased your B&S power management system, your dealer, or your utility power provider.

The power management system warranty is VOID unless the system is installed by a licensed electrical professional.

For the Installing Dealer/Contractor

Check federal, state and local codes for questions on installation.

If you need more information about the power management system, call 1-800-743-4115, between 8:00 AM and 5:00 PM CT.

INTRODUCTION

Owner Orientation

The illustrations are for typical circumstances and are meant to familiarize you with the installation options available with your power management system.

Local codes, appearance, and distances are the factors that must be considered when negotiating with an installation professional. As the distance from the existing electrical service increases, compensation in wiring materials must be allowed for. This is necessary to comply with local codes and overcome electrical voltage drops.

The factors mentioned above will have a direct effect on the overall price of your power management system installation.

NOTE: Your installer must check local codes AND obtain permits before installing the system.

- Read and follow the instructions given in this manual.
- Follow a regular schedule in caring for and using your power management system, as specified in the manual.

Installer Responsibilities

- Read and observe the safety rules.
- Read and follow the instructions given in this manual.
- Check federal, state and local codes.
- Consult with owner to determine loads to be controlled and their priorities.

NOTE: A worksheet for determining which loads are to be transferred and their priorities is provided on page 12.

- May need to provide appropriate rated contactors based on loads to be controlled.

Equipment Description

The power management system is designed to control six priority loads and up to two air conditioner loads that are being supplied by power from the home standby system. This power management system goes into a STANDBY mode and does not control any loads when utility power is present.

The power management system consists of a relay board with 6 relays to control loads rated up to 120 VAC, 20 Amps, 1 hp, and a control module that has 2 relays for central air conditioner loads. The circuit boards are housed in a NEMA 3R enclosure that is suitable for both indoor and outdoor installations.

Two (2) current transformers monitor generator current at the transfer switch to ensure that the loading of the generator does not exceed 85 percent. Should load exceed 85 percent, the power management system will start to shed loads to keep the generator from overloading. The power management system will add load back once sufficient current is available.

The control module has a green LED for each relay to indicate when the relays are supplying power to the loads when on generator power. There is also a status LED that flashes when the power management system is functioning properly.

INSTALLATION

Unpacking

Delivery Inspection

After removing the carton, carefully inspect the power management system components for any damage that may have occurred during shipment.

IMPORTANT: If loss or damage is noted at time of delivery, have the person(s) making delivery note all damage on the freight bill and affix his signature under the consignor's memo of loss or damage. If loss or damage is noted after delivery, contact the carrier for claim procedures. Missing or damaged parts are not warranted.

Shipment Contents

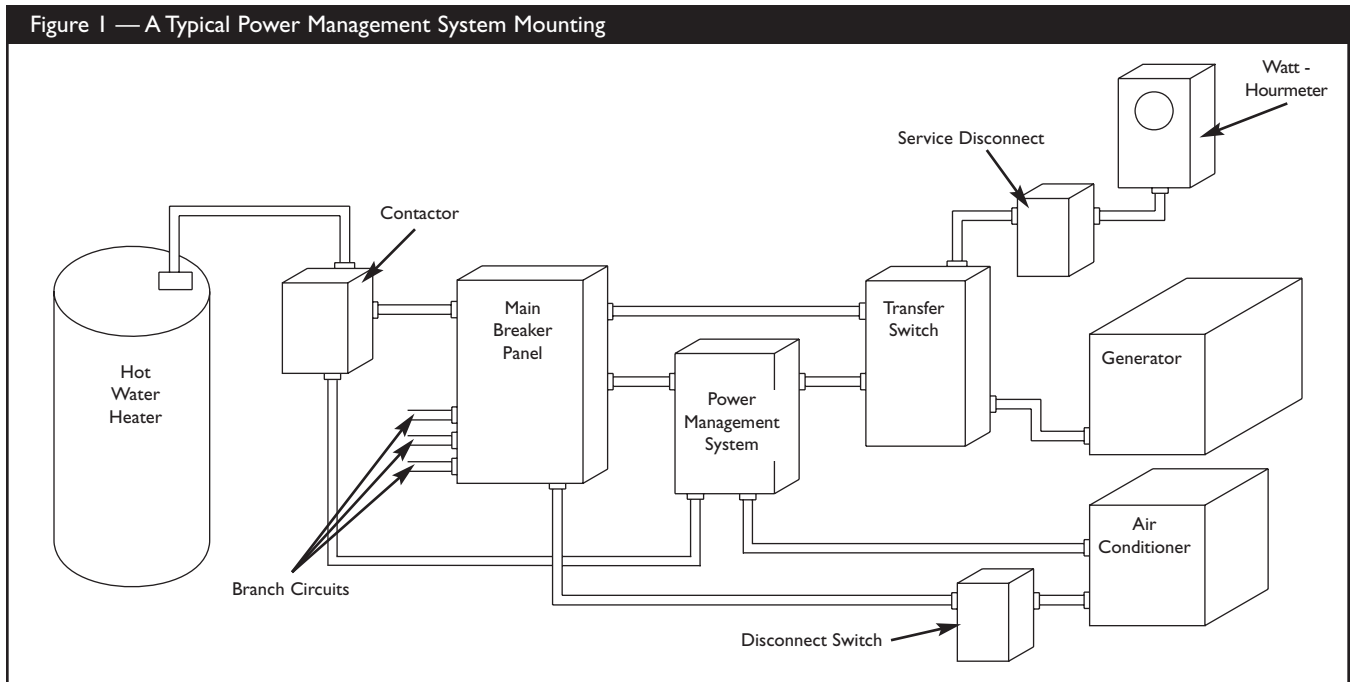
- Power Management System
- Installation and Operator's Manual
- Wire Connectors (4)
- 1/4" Double Male, Single Female Lugs (2)

Mounting Guidelines

The power management system is enclosed in a NEMA Type 3R enclosure suitable for indoor/outdoor use. Guidelines for mounting the power management system include:

- Install power management system on a firm, sturdy supporting structure.
- The power management system must be installed with minimum NEMA 3R hardware for conduit connections.
- Level and plumb the enclosure. This can be done by placing washers between the power management system enclosure and the mounting surface.
- NEVER install the power management system where any corrosive substance might drip onto the enclosure.
- Protect the power management system at all times against excessive moisture, dust, dirt, lint, construction grit and corrosive vapors.

A typical installation of the power management system is depicted in Figure 1. It is best if it is mounted near the main breaker panel, either inside or outside. Discuss layout suggestions/changes with the owner before beginning the system installation process.





INSTALLATION

Power Wiring Interconnections

All wiring must be the proper size, properly supported and protected by conduit. All wiring should be done per applicable federal, state and local codes, standards and regulations.

Complete the following connections between the transfer switch, power management system and main breaker panel (Figure 2, on next page). Also see the wiring decal on page 9.

 WARNING	
	Low voltage wire cannot be installed in same conduit as power voltage wiring.
<ul style="list-style-type: none">• Failure to follow above warning could cause personal injury, damage and/or malfunction of equipment.	

CAUTION	
Improper installation can cause damage to the circuit boards and shorten their life. Installing circuit boards in live circuits will damage the board and is not a warranty condition. ALWAYS disconnect ALL sources of power prior to servicing.	
<ul style="list-style-type: none">• Remove all power prior to installing this power management system. Failure to do so could cause internal damage to the board when making electrical connections.• Turn generator to OFF position.• Turn off utility power to the home standby generator and transfer switch.	

1. Set generator's main circuit breaker to **OFF** (open) position.
2. Identify loads and their priorities (using sheet provided) to be transferred to power management system in main breaker panel.
3. In main breaker panel, turn selected load circuit breakers to **OFF** position.
4. Connect "GND" lug to an approved ground.

NOTE: Assure grounding electrode conductor is connected and bonded per applicable federal, state and local codes, standards and regulations.

5. Using supplied 1/4" double male, single female lugs, connect generator 240VAC from transfer switch to relay board in power management system.
6. Unplug current transformers from control module in transfer switch.
7. Cut two pin connector ends off of current transformer leads and discard. Strip wires and place in supplied wire connectors.

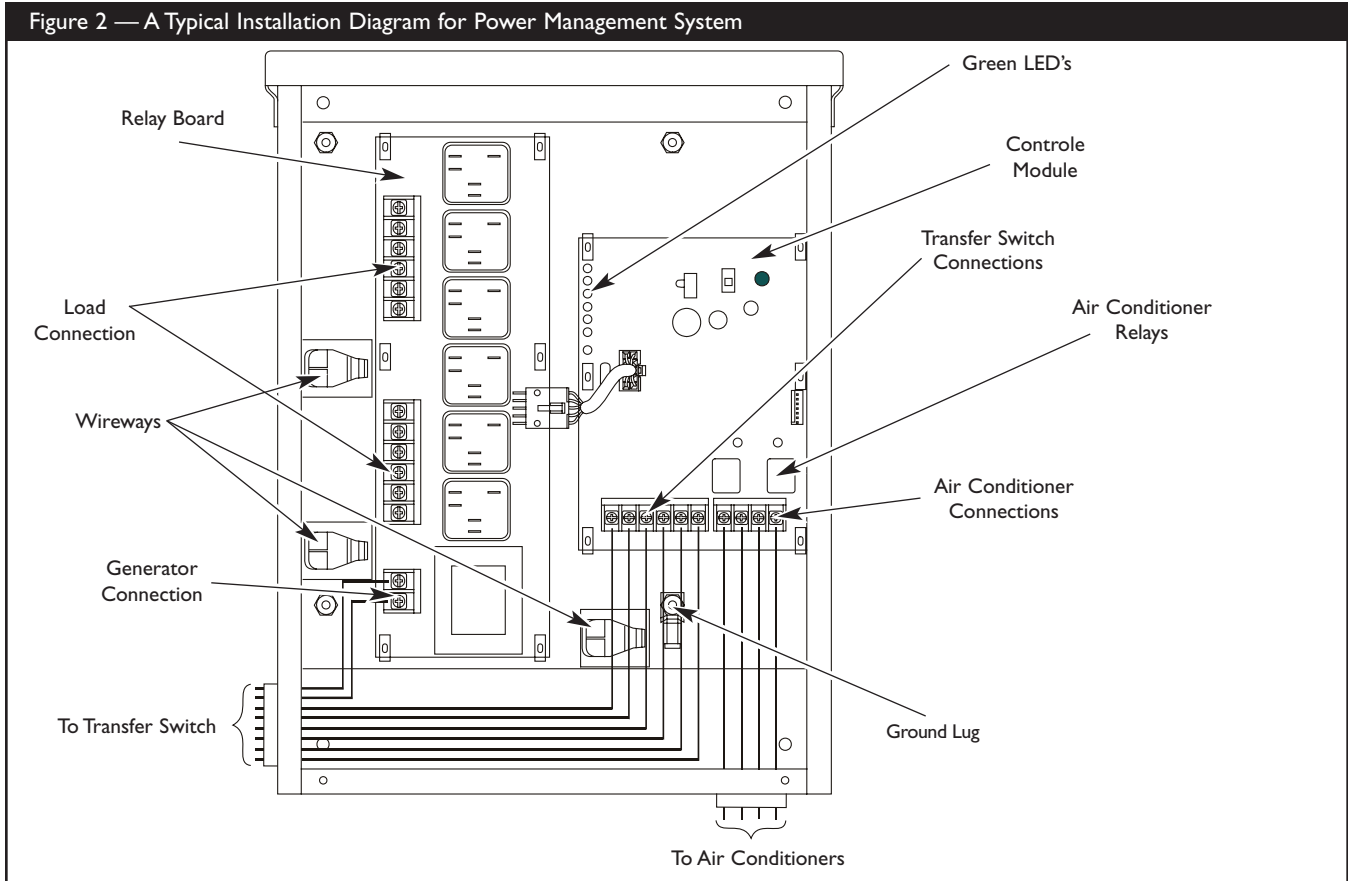
8. Using installer supplied 300VAC or greater wire, run wires from wire connectors to control module terminal block labeled "CT1A" through "CT2B" in power management system.
9. Using installer supplied 300VAC or greater wire, connect control module terminals "B-B" in transfer switch to control module terminal block labeled "TXSF" and "TXFG" in power management system.
10. Wire the air conditioner thermostat control wiring to the control module labeled "AC1A-AC2B" in power management system.

NOTE: AC1A and AC1B is for the priority 1 air conditioner. AC2A and AC2B is for the priority 2 air conditioner.

11. For 120VAC selected loads, remove wire from selected load circuit breaker.
12. Using installer supplied 300VAC or greater wire, connect selected load circuit breaker to terminal block at power management system labeled "CB/B1" for priority 1 load.
13. Using installer supplied 300VAC or greater wire and a wire nut, connect the selected load wire to terminal block in power management system labeled "RLY/B1" for priority 1 load.
14. Repeat steps 11 through 13 for all other 120VAC priorities using terminals "CB/C1" through "RLY/D2".
15. For 240VAC selected loads, remove both wires from selected load circuit breaker and place in load side of installer supplied contactor.
16. Using installer supplied 300VAC or greater wire, connect circuit breaker to line side of contactor.
17. Using installer supplied 300VAC or greater wire, connect one pole of the circuit breaker to terminal block in power management system labeled "CB/B1" for a priority 1 load.
18. Using installer supplied 300VAC or greater wire, connect Neutral in main breaker panel to contactor coil.
19. Using installer supplied 300VAC or greater wire, connect contactor coil to terminal block in power management system labeled "RLY/B1" for a priority 1 load.
20. Repeat steps 15 through 19 for all other 240VAC priorities using terminals "CB/C1" through "RLY/D2".
21. Tighten all wire connections/fasteners to proper torque. See inside power management system enclosure for proper torque values.

INSTALLATION

Figure 2 — A Typical Installation Diagram for Power Management System



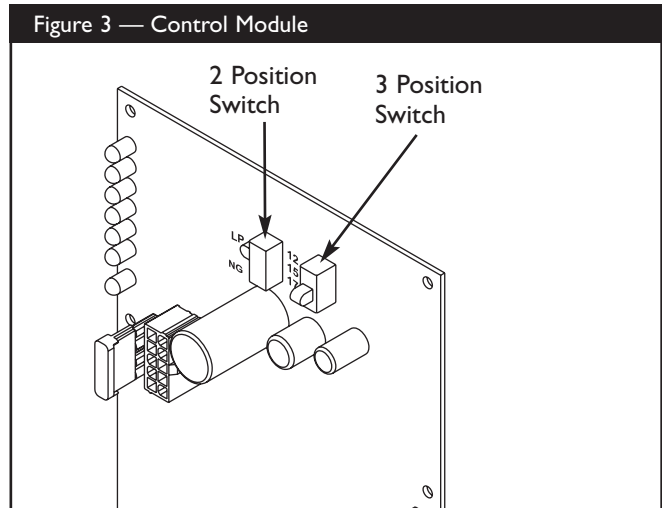
System Setup

You must perform the following before operating the system:

- Place the 2 position sliding switch on the control module in the NG or LP position (Figure 3), whichever is appropriate for the installed home standby system.
- Place the 3 position sliding switch on the control module to match the rating of the home standby system (Figure 3).
- In main breaker panel, turn selected load circuit breakers to the **ON** position.

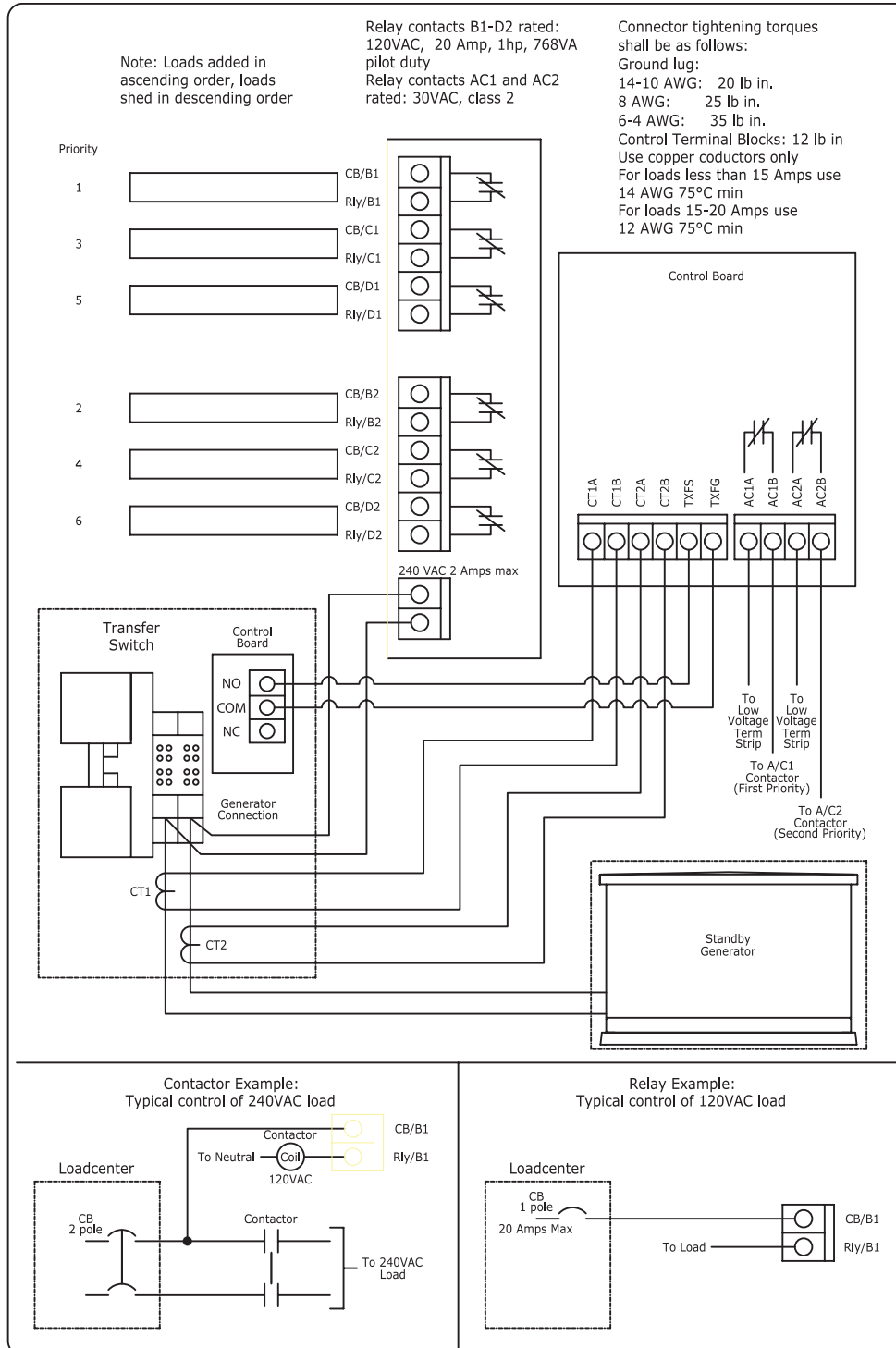
IMPORTANT: After installation of the power management system is complete, turn on utility power to the home standby generator and transfer switch. Wait one minute before turning generator to AUTO.

Figure 3 — Control Module



INSTALLATION

WIRING DECAL



SPECIFICATIONS AND OPERATION

SPECIFICATIONS

Rated AC Voltage	125/250 Volts
Frequency	50/60 Hz
Relay Contacts Rating	125 VAC, 20A, 1 HP, 768 VA Pilot Duty
Weight	34 lbs.

SYSTEM OPERATION

When the home standby system is providing power to the transfer switch, the power management system is constantly monitoring generator power to control loads. The power management system monitors both incoming generator lines and keeps the home standby system loaded to a maximum of 85-86 percent of rated load. When the current transformers on any line start to see current reach 85-86 percent of rated load, the power management system will start shedding loads based on the lowest priority and work its way to the highest priority. When current has dropped below 85-86 percent of rated load, the power management system will start to add loads based on the highest priority first, followed by the second highest until the generator reaches 85-86 percent load or all priorities are back on line. The power management system will operate this way until the transfer switch transfers back to utility position.

The power management system waits 5 seconds between adding or shedding each load to permit the system to stabilize. When a relay is opened, the relay will stay opened for a minimum of 5 minutes or until the load can be added without putting the generator over 85-86 percent of rated load. If a large load demand is seen, the power management system will shed loads at a quicker rate of less than 1.5 seconds to prevent the generator from overloading. Once the demand has stabilized and the loads can be added again, the power management system will start with the highest priority, wait 5 seconds and then add the next priority. The unit will continue to do this until all loads are added or 85-86 percent of rated load is reached.

When the generator is powering loads, the A/C relays are open. When one or both of the relays sense 24VAC from the thermostat(s), the controller will shed loads B1-D2, and then will allow only one A/C relay to close. A1 has priority over A2. A2 can close when the signal for A1 has expired. When the A/C's are being called to run, all loads are to be shed before the A/C unit can be added. Should A/C 1 call while A/C 2 is running, A/C 2 shall open, all relays would open and then A/C 1 can close. When the A/C relays open, they are to be locked out for a minimum of 5 minutes or until they receive a call to start the A/C.

TESTING THE POWER MANAGEMENT SYSTEM

With the generator in “**Auto**” position, turn the service disconnect feeding the transfer switch contactor to the “**Off**” position. The generator will start and the transfer switch will transfer to generator power.

Press the test button on the control module of the power management system. As the button is pressed, a relay will energize. Each time the button is pressed, the previous relay that was energized, will de-energize and the next relay will energize.

Press the test button once and relay B2 will energize. Press the test button again and B2 will de-energize and relay C1 will energize. This will proceed until all relays have been tested or if the test button has not been pressed for a period of 30 seconds, the test sequence will halt and the system will go back to automatic control.

To go back to utility power, turn the service disconnect feeding the transfer switch contactor to the “**On**” position.

When Calling the Factory

Before contacting Briggs & Stratton regarding service or repair of this power management system, obtain the Model Number and Serial Number from the unit data decal located on or inside the enclosure.

To contact Briggs & Stratton call 1-800-743-4115, between 8:00 AM and 5:00 PM CT.

TROUBLESHOOTING

TROUBLESHOOTING

Problem	Cause	Correction
<p>Supervised loads (air conditioner, etc.) are not operating when generator is supplying power</p>	<ol style="list-style-type: none"> 1. AC1A-AC2B contacts not operating correctly. 2. Too much load on generator. 3. Current transformer not connected. 4. Broken current transformer. 5. Status LED stays lit constantly. 	<ol style="list-style-type: none"> 1A. Check AC1A-AC2B contacts for proper operation. B. Check control wiring to external load. C. Check harness between boards is properly connected. D. Check that there is 24 VAC to one of the terminals. E. Be sure 5 minute lock out has elapsed. F. Be sure air conditioner start time delay has elapsed. 2. Decrease load to generator. 3. Connect current transformer. 4. Replace current transformer. 5. Contact an authorized service center.

WORKSHEET

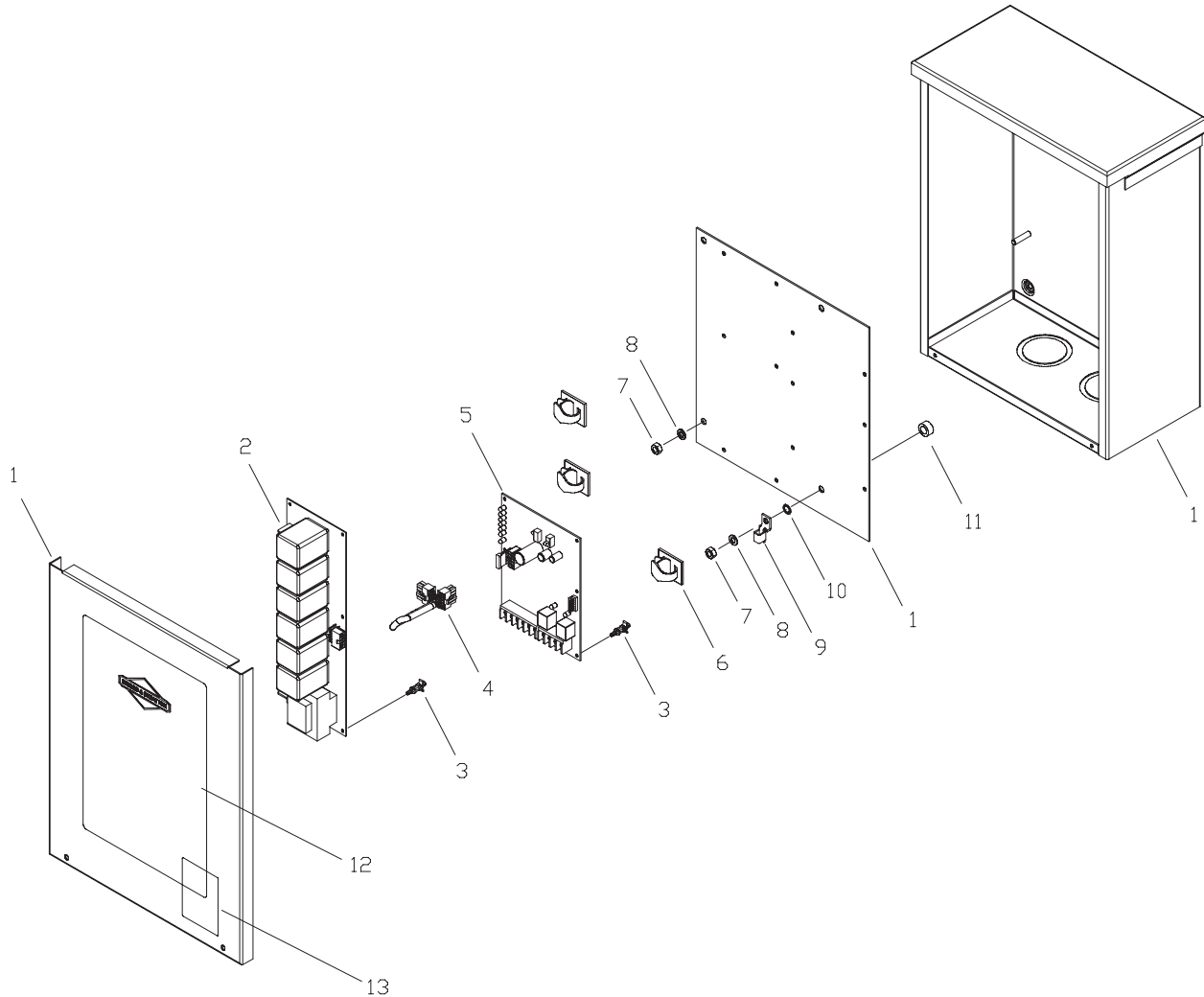
ELECTRICAL LOAD WORKSHEET

Priority	120VAC Electrical Appliances	Priority	240VAC Electrical Appliances
	Window Air Conditioner 1		Central Air Conditioner 1
	Window Air Conditioner 2		Central Air Conditioner 2
	Window Air Conditioner 3		Range/Stove
	Refrigerator 1		Dryer
	Refrigerator 2		Well Pump
	Freezer 1		Hot Tub
	Freezer 2		Pool Heater
	Microwave		Water Heater
	Bathroom		Other: _____
	Auxiliary Heater		Other: _____
	Home Theater System		Other: _____
	Garage Heater		
	Sink Water Heater		
	Sewage Lift Pump		
	Other: _____		
	Other: _____		
	Other: _____		

IMPORTANT: DO NOT connect furnace and sump pump to power management system.

EXPLODED VIEW AND PARTS LIST

EXPLODED VIEW & PARTS LIST



Item	Part #	Description
1	NSP	ENCLOSURE
2	196616GS	BOARD, Load Control Center Relay
3	197979GS	SPACER, PCB Board, 1/2"
4	198112GS	HARNESS, Wire, Load Control Center
5	196615GS	BOARD, Load Control Center
6	198431GS	CLIP, Latching Wire
7	*	NUT, 1/4 - 20
8	*	WASHER, Lock 1/4
9	186345GS	TERMINAL
10	*	WASHER, Shakeproof, Ext M6 - 1/4

Item	Part #	Description
11	192150GS	SPACER
12	198433GS	DECAL
13	190992GS	DECAL, Warning

Items Not Illustrated

198113GS	MANUAL, Load Control Center
197956GS	BLOCK, Terminal w/ Levr's
74094GS	LUG, 1/4 Tab
77211GS	LUG, 1/4, 18-22

* - Items without part numbers are common fasteners and are available at local hardware stores.

NOTES

**BRIGGS & STRATTON POWER PRODUCTS GROUP, LLC
TRANSFER SWITCH OWNER WARRANTY POLICY**

Effective November 1, 2005 replaces all undated Warranties and all Warranties dated before November 1, 2005

LIMITED WARRANTY

Briggs & Stratton Power Products Group, LLC will repair or replace, free of charge, any part(s) of the equipment that is defective in material or workmanship or both. Transportation charges on product submitted for repair or replacement under this warranty must be borne by purchaser. This warranty is effective for the time periods and subject to the conditions stated below. For warranty service, find the nearest Authorized Service Dealer in our dealer locator map at www.briggspowerproducts.com.

THERE IS NO OTHER EXPRESS WARRANTY. IMPLIED WARRANTIES, INCLUDING THOSE OF MERCHANTABILITY AND FITNESS FOR A PARTICULAR PURPOSE, ARE LIMITED TO ONE YEAR FROM PURCHASE, OR TO THE EXTENT PERMITTED BY LAW ANY AND ALL IMPLIED WARRANTIES ARE EXCLUDED. LIABILITY FOR INCIDENTAL OR CONSEQUENTIAL DAMAGES ARE EXCLUDED TO THE EXTENT EXCLUSION IS PERMITTED BY LAW. Some states or countries do not allow limitations on how long an implied warranty lasts, and some states or countries do not allow the exclusion or limitation of incidental or consequential damages, so the above limitation and exclusion may not apply to you. This warranty gives you specific legal rights and you may also have other rights which vary from state to state or country to country.

WARRANTY PERIOD

Consumer Use	3 years
Commercial Use	None

The warranty period begins on the date of purchase by the first retail consumer or commercial end user, and continues for the period of time stated in the table above. "Consumer use" means personal residential household use by a retail consumer. "Commercial use" means all other uses, including use for commercial, income producing or rental purposes. Once equipment has experienced commercial use, it shall thereafter be considered as commercial use for purposes of this warranty. Equipment used for prime power in place of utility are not applicable to this warranty.

NO WARRANTY REGISTRATION IS NECESSARY TO OBTAIN WARRANTY ON BRIGGS & STRATTON PRODUCTS. SAVE YOUR PROOF OF PURCHASE RECEIPT. IF YOU DO NOT PROVIDE PROOF OF THE INITIAL PURCHASE DATE AT THE TIME WARRANTY SERVICE IS REQUESTED, THE MANUFACTURING DATE OF THE PRODUCT WILL BE USED TO DETERMINE THE WARRANTY PERIOD.

ABOUT YOUR WARRANTY

We welcome warranty repair and apologize to you for being inconvenienced. Any Authorized Service Dealer may perform warranty repairs. Most warranty repairs are handled routinely, but sometimes requests for warranty service may not be appropriate. For example, warranty service would not apply if equipment damage occurred because of misuse, lack of routine maintenance, shipping, handling, warehousing or improper installation. Similarly, the warranty is void if the manufacturing date or the serial number on the equipment has been removed or the equipment has been altered or modified. During the warranty period, the Authorized Service Dealer, at its option, will repair or replace any part that, upon examination, is found to be defective under normal use and service. This warranty will not cover the following repairs and equipment:

- **Normal Wear:** Outdoor Power Equipment, like all mechanical devices, needs periodic parts and service to perform well. This warranty does not cover repair when normal use has exhausted the life of a part or the equipment.
- **Installation and Maintenance:** This warranty does not apply to equipment or parts that have been subjected to improper or unauthorized installation or alteration and modification, misuse, negligence, accident, overloading, improper maintenance, repair or storage so as, in our judgment, to adversely affect its performance and reliability. This warranty also does not cover normal maintenance such as adjustments, cleaning and fuse replacement.
- **Other Exclusions:** This warranty excludes wear items or damage or malfunctions resulting from accidents, abuse, modifications, alterations, or improper servicing. Accessory parts are excluded from the product warranty. This warranty excludes failures due to acts of God and other force majeure events beyond the manufacturers control. Also excluded is used, reconditioned, and demonstration equipment.

**BRIGGS & STRATTON POWER PRODUCTS GROUP, LLC
JEFFERSON, WI, USA**

TABLE DES MATIÈRES


TABLE DES MATIÈRES

TABLE DES MATIÈRES.....	16	Consignes d'Installation	20
DIRECTIVES DE SÉCURITÉ IMPORTANTES.....	17	Interconnexions du Câblage d'Alimentation	21-22
INTRODUCTION	18	Configuration du système	22
Au Propriétaire Résidentiel	18	DÉCALCOMANIE D'INSTALLATION ÉLECTRIQUE	23
Au Détaillant/à l'Entrepreneur Procédant à		CARACTÉRISTIQUES	24
l'Installation.....	18	FONCTIONNEMENT.....	24
Conseils au Propriétaire.....	19	MISE À L'ESSAI DU SYSTÈME DE GESTION DE	
Responsabilités de l'Installateur.....	19	L'ALIMENTATION.....	24
Description de l'Équipement	19	Si vous Devez Communiquer avec l'Usine	24
INSTALLATION	20	DÉPANNAGE.....	25
Déballage	20	FICHE TECHNIQUE	26
Vérification de la Livraison.....	20	VUES ÉCLATÉES, LISTES DES PIÈCES.....	13
Contenu de la Boîte.....	20	GARANTIE.....	27

DIRECTIVES DE SÉCURITÉ IMPORTANTES

VEUILLEZ CONSERVER CES INSTRUCTIONS

DIRECTIVES DE SÉCURITÉ IMPORTANTES

 Ceci est la sûreté le symbole vif. Il est utilisé pour vous alerter aux dangers de blessure personnels potentiels. Obéir tous messages de sûreté qui suivent ce symbole éviter la blessure ou la mort possibles.

Le symbole indiquant un message de sécurité est accompagné d'un mot indicateur (DANGER, ATTENTION, AVERTISSEMENT), d'un message illustré et/ou d'un message de sécurité visant à vous avertir des dangers. **DANGER** indique un danger qui, s'il n'est pas évité, *provoquera* des blessures graves, voire fatales.

AVERTISSEMENT indique un danger qui, s'il n'est pas évité, *peut* provoquer des blessures graves, voire fatales. **ATTENTION** indique un danger qui, s'il n'est pas évité, *peut* provoquer des blessures mineures ou légères. Le mot **ATTENTION**, lorsqu'il est utilisé **sans** le symbole d'alerte, indique une situation pouvant endommager l'équipement. Suivez les messages de sécurité pour éviter ou réduire les risques de blessures ou de mort.

Le fabricant ne peut anticiper toutes les circonstances potentielles pouvant comporter un danger. Par conséquent, les avertissements contenus dans le présent manuel, ainsi que les plaques et les décalques apposés sur l'unité n'englobent pas toutes les possibilités. Si vous utilisez une procédure, une méthode de travail ou une technique d'opération non spécifiquement recommandée par le fabricant, vous devez vous assurer qu'elle ne compromet pas votre sécurité ni celle des autres. Vous devez également vous assurer que la procédure, la méthode de travail ou la technique d'opération que vous choisissez ne rende pas la système de gestion de l'alimentation dangereuse.

AVERTISSEMENT

Seuls les électriciens et les techniciens en combustibles gazeux qualifiés peuvent procéder à l'installation de ce système, laquelle doit se conformer strictement aux codes, aux normes et aux réglementations applicables.

AVERTISSEMENT



Les fils de basse tension ne peuvent être installés dans le même conduit que les fils d'alimentation.

- Le non-respect de cet avertissement pourrait entraîner des blessures personnelles et l'endommagement ou le mauvais fonctionnement de l'équipement.

AVERTISSEMENT



NE PAS relier le système de gestion de l'alimentation à la terre risque de provoquer des électrocutions.

- NE touchez PAS les fils dénudés ou les boîtiers.
- N'utilisez PAS le système de gestion de l'alimentation avec des cordons électriques usés, effilochés ou dénudés, ou abîmés de quelque sorte que ce soit.
- NE manipulez PAS les cordons d'alimentation lorsque vous êtes debout dans l'eau, pieds nus ou avec les mains ou les pieds humides.
- Si vous devez travailler autour d'une unité alors qu'elle est en marche, placez-vous sur une surface sèche isolée afin de réduire les risques de choc électrique.
- NE laissez PAS des personnes non qualifiées ou des enfants se servir ou réparer le système de gestion de l'alimentation.
- En cas d'accident causé par un choc électrique, procédez immédiatement à la mise hors tension de l'alimentation électrique et contactez des autorités locales. **Évitez tout contact direct avec la victime.**

AVERTISSEMENT



Le système de gestion de l'alimentation contient une haute tension qui peut causer des blessures personnelles ou la mort.

- En dépit de la conception sécuritaire du système de gestion de l'alimentation, le fait d'opérer l'équipement de façon imprudente, de ne pas l'entretenir ou d'être négligent peut causer des blessures et la mort.

ATTENTION

Un traitement inapproprié du système de gestion de l'alimentation risque de l'endommager et de raccourcir sa durée d'utilisation.

- Ne vous servez du système de gestion de l'alimentation que pour les utilisations prévues.
- Si vous avez des questions concernant les utilisations prévues, demandez à votre distributeur ou contactez Briggs and Stratton.
- N'exposez PAS le système de gestion de l'alimentation à une humidité excessive, à de la poussière, à de la saleté ou à des vapeurs corrosives.
- Demeurez alerte en tout temps lorsque vous travaillez sur cet équipement. NE travaillez JAMAIS sur l'équipement si vous êtes fatigué physiquement ou mentalement.
- Si les appareils branchés surchauffent, éteignez-les et mettez leur disjoncteur ou fusible hors tension.

INTRODUCTION

Merci d'avoir acheté ce système de gestion de l'alimentation Briggs & Stratton. Ce produit est conçu pour être utilisé **UNIQUEMENT** avec le commutateur de transfert et génératrices de secours résidentielles Briggs & Stratton. Il s'agit d'un système automatisé en option qui contrôle la distribution de l'alimentation d'une génératrice résidentielle auxiliaire vers des charges résidentielles sélectionnées.

La société Briggs & Stratton (B&S) a tout fait pour fournir un système de gestion de l'alimentation dont l'installation soit sécuritaire, facile et économique. Comme chaque installation est unique, il est impossible de connaître et de recommander une marche à suivre présentant toutes les méthodes et consignes d'installation possibles. Briggs et Stratton ignore également les dangers et/ou les résultats potentiels de chaque méthode ou procédure. C'est pourquoi,

Seuls des entrepreneurs en électricité qualifiés devraient procéder à l'installation des système de gestion de l'alimentation. Toute installation doit être conforme à tous codes de sécurité applicables, ainsi qu'aux normes et à la réglementation de l'industrie.

Votre système de gestion de l'alimentation B&S est livré avec le présent "Guide d'installation et d'utilisation". Ce guide est un document important; conservez-le après avoir complété l'installation.

Tout a été fait pour s'assurer que les renseignements contenus dans le présent guide soient exacts et à jour. Toutefois, le fabricant se réserve le droit de changer, de modifier ou encore d'améliorer le système en tout temps, et ce, sans préavis.

Au Propriétaire Résidentiel

Afin de vous aider à faire des choix avisés et à communiquer efficacement avec l'entrepreneur qui procédera à l'installation,

Veillez lire avec soin la section Conseils au propriétaire dans le présent guide avant de contracter un entrepreneur ou de commencer l'installation de votre système de gestion de l'alimentation.

Pour assurer une installation adéquate, veuillez contacter le magasin qui vous a vendu votre système de gestion de l'alimentation B&S, votre détaillant ou votre fournisseur de services d'électricité.

Si l'installation du système de gestion de l'alimentation n'est pas effectuée par des professionnels certifiés en électricité, la garantie sera ANNULÉE.

Au Détaillant ou à l'Entrepreneur Procédant à l'Installation

Téléphonez un inspecteur de votre localité si vous avez des questions concernant l'installation.

Si vous avez besoin de renseignements supplémentaires, veuillez appeler au (800) 743-4115 de 8 h à 17 h HNC.

Conseils au Propriétaire

Les illustrations se rapportent à des cas typiques et ont pour but de vous familiariser avec les différentes options d'installation de votre système de gestion de l'alimentation dont vous disposez.

Au moment de négocier avec un installateur professionnel, il faudra tenir compte des facteurs suivants : les codes de sécurité locaux, l'apparence, et les distances. Souvenez-vous que plus grandes sont les distances entre le groupe électrogène et le service électrique existant ainsi que l'alimentation, plus il faudra faire des compensations dans les matériaux et le câblage. Ces modifications sont nécessaires pour vous conformer aux codes de sécurité locaux et pour surmonter les chutes de tension.

Les facteurs mentionnés ci-dessus auront une incidence directe sur le prix total de l'installation de votre système de gestion de l'alimentation.

REMARQUE: Votre installateur est tenu de vérifier les codes locaux ET d'obtenir les permis requis avant de procéder à l'installation du système.

- Vous devez lire et suivre les instructions indiquées dans le manuel.
- Établissez un programme de soins et d'utilisation régulier de votre système de gestion de l'alimentation, tel qu'indiqué dans le manuel.

Responsabilités de l'Installateur

- Vous devez lire et respecter les règles de sécurité décrites dans le manuel.
- Vous devez lire et suivre les instructions indiquées dans le présent le manuel.
- Vérifiez tous les codes fédéraux, provinciaux et locaux.
- Consultez le propriétaire afin de déterminer les charges devant être contrôlées ainsi que leur priorité.

REMARQUE: Vous trouverez à la page 26 une fiche technique qui vous aidera à déterminer les charges devant être transférées et leur priorité.

- Il se peut que vous ayez à fournir les contacteurs nominaux appropriés selon les charges à contrôler.

Description de l'Équipement

Le système de gestion de l'alimentation est conçu pour contrôler six charges prioritaires et jusqu'à deux charges de climatiseurs alimentés par la génératrice résidentielle auxiliaire. Le système de gestion de l'alimentation se met en mode STANDBY (ATTENTE) et ne contrôle pas de charge en présence de l'électricité de service.

Le système de gestion de l'alimentation est composé d'une carte de relais avec 6 relais pour contrôler des charges allant jusqu'à 120 V c.a., 20 ampères, 1 HP, et une carte de contrôleur dotée de 2 relais pour les charges de climatiseurs. Les cartes de circuit sont contenues dans un boîtier NEMA 3R adapté pour un usage à l'intérieur et à l'extérieur.

Deux (2) transformateurs de courant sont utilisés pour la surveillance du courant de la génératrice au commutateur de transfert pour s'assurer que la charge de la génératrice n'excède pas 85 pour cent. Lorsque la charge dépasse 85 pour cent, le système de gestion de l'alimentation commence à délester les charges de sorte à empêcher la surcharge de la génératrice. Le système de gestion de l'alimentation rétablira les charges lorsque le courant sera à nouveau disponible.

La carte de contrôleur possède un DEL vert pour chaque relais afin d'indiquer si les relais fournissent de l'alimentation aux charges lorsque la génératrice est en fonction. Il y a aussi un statut DEL que clignote quand le système de gestion de l'alimentation fonctionne convenablement.

INSTALLATION

Déballage

Vérification de la Livraison

Après avoir enlevé le carton, examinez avec soin les éléments du système de gestion de l'alimentation pour tout dommage subi durant l'expédition.

IMPORTANT: Au moment de la livraison, si vous remarquez des dommages ou des pièces manquantes, demandez au livreur de noter tous les dommages sur la facture de fret et d'apposer sa signature dans l'espace réservé à cet effet. Après la livraison, si vous remarquez des pièces manquantes ou des dommages, mettez les pièces endommagées de côté et communiquez avec le transporteur pour connaître les procédures de réclamation. Les pièces manquantes ou endommagées ne sont pas garanties.

Contenu de la Boîte

- Système de Gestion de l'Alimentation
- Manuel de d'Installation et l'Utilisation
- Connecteurs de Fil (4)
- Languettes de Contact 1/4 po Mâle Bipolaire et Femelle Unipolaire (2)

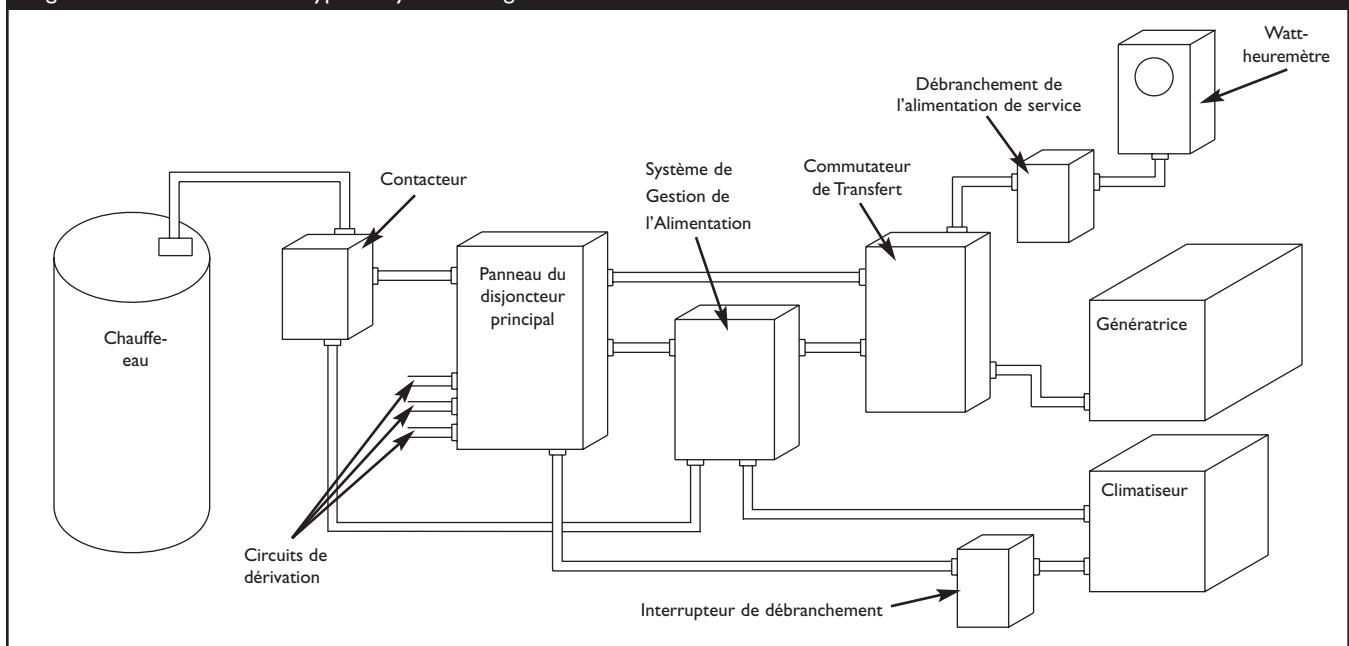
Consignes d'installation

Le système de gestion de l'alimentation est contenu dans un boîtier de type NEMA 3R adapté pour usage interne et externe. Consignes d'installation du système de gestion de l'alimentation:

- Installation du système de gestion de l'alimentation sur une structure portante ferme et robuste.
- Le système de gestion de l'alimentation doit être installé avec les connexions de conduit de fo de matériel de NEMA 3R minimum.
- Au besoin, nivelez le système de gestion de l'alimentation pour éviter les distorsions. Ceci peut être accompli en insérant des rondelles entre le boîtier du système de gestion de l'alimentation et la surface de fixation.
- NE JAMAIS installer le système de gestion de l'alimentation dans un endroit une substance corrosive pourrait s'y infiltrer.
- Protégez le système de gestion de l'alimentation en tout temps contre l'humidité, les poussières, les saletés, les peluches, le gravier et les vapeurs corrosives.

La figure 4 illustre une installation type du système de gestion de l'alimentation. Il est préférable d'installer près du panneau du disjoncteur principal, soit à l'intérieur ou à l'extérieur. Discutez des suggestions/changements de disposition avec le propriétaire avant d'entamer le processus d'installation du système.

Figure 4 — Une installation type du système de gestion de l'alimentation



Interconnexions du câblage d'alimentation

Tout le câblage doit être d'un gabarit approprié, bien fixé, et protégé par des conduits.

Complétez les raccordements suivants entre le commutateur de transfert, le système de gestion de l'alimentation et le panneau de distribution principal, (Figure 5, à la page suivante). Aussi voir la décalcomanie d'installation électrique à la page 23.

AVERTISSEMENT



Les fils de basse tension ne peuvent être installés dans le même conduit que les fils d'alimentation.

- Le non-respect de cet avertissement pourrait entraîner des blessures personnelles et l'endommagement ou le mauvais fonctionnement de l'équipement.

ATTENTION

Une installation inadéquate peut causer des dommages aux panneaux de circuit et réduire leur durée de vie utile. La demande de courant d'appel ou la mise à la terre des terminaux, lors de la manipulation au cours de l'installation endommagera la carte de circuit et n'est pas couverte par la garantie.

- Retirez toutes les sources d'alimentation avant d'installer ce système de gestion de l'alimentation. La négligence de cette consigne causera des dommages internes au panneau lors de l'établissement des raccordements électriques.
- Placez l'interrupteur de la génératrice à la position « OFF » (ARRÊT).
- Fermez l'alimentation de service à la génératrice résidentielle auxiliaire et au commutateur de transfert.

- Réglez le disjoncteur principal de la génératrice à **OFF** (ARRÊT) en position (open/ouverte).
- Identifiez les charges et leur priorité (en utilisant la feuille fournie) à transférer au système de gestion de l'alimentation dans le panneau du disjoncteur principal.
- Dans le panneau du disjoncteur principal, placez les disjoncteurs des charges choisies à OFF (ARRÊT).
- Connectez la languette de contact « GND » (MISE À LA TERRE) à une mise à la terre approuvée.

REMARQUE: Assurez-vous que l'électrode de terre est raccordée selon les normes, la réglementation et les codes fédéraux, provinciaux et locaux applicables.

- En utilisant les languettes de contact 1/4 po mâle bipolaire, femelle unipolaire, connectez l'alimentation de 240 V c.a. de la génératrice du commutateur de transfert vers la carte de relais du système de gestion de l'alimentation.
- Débrancher des transformateurs du conseil de contrôleur dans le commutateur de transfert.
- Coupez les bouts des connecteurs à broche des fils du transformateur et jetez-les. Dénudez les fils et placez-les dans

les connecteurs de fils fournis.

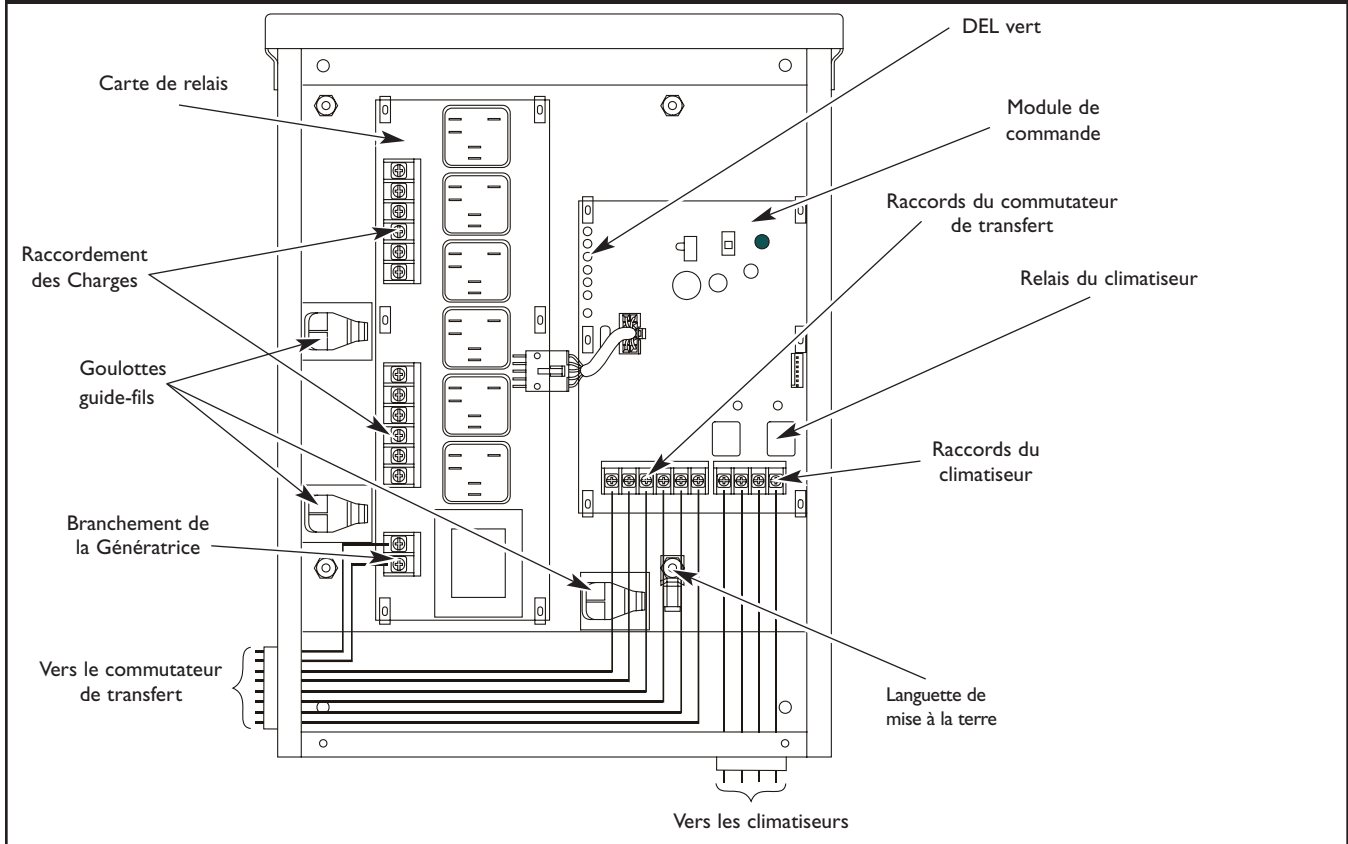
- En utilisant le fil de 300 V c.a. fourni par l'installateur ou un fil de calibre supérieur, passez les fils des connecteurs de fils vers le bloc de branchement de la carte de relais étiqueté « CT1A » vers « CT2B » dans le système de gestion de l'alimentation.
- En utilisant le fil de 300 V c.a. fourni par l'installateur ou un fil de calibre supérieur, connectez les terminaux de la carte de contrôleur « B-B » dans le commutateur de transfert vers le bloc de branchement de la carte de contrôleur étiquetée « TXSF » et « TXFG » du système de gestion de l'alimentation.
- Branchez le câblage de contrôle du thermostat du climatiseur à la carte de contrôleur étiquetée « AC1A-AC2B » du système de gestion de l'alimentation.

REMARQUE: AC1A et AC1B sont assignés à la priorité pour le climatiseur 1. AC2A et AC2B sont assignés à la priorité du climatiseur 2.

- Pour les charges 120 V c.a. choisies, enlevez le fil du disjoncteur choisi.
- En utilisant le fil de 300 V c.a. fourni par l'installateur ou un fil de calibre supérieur, connectez le disjoncteur choisi au bloc de branchement du système de gestion de l'alimentation étiqueté « CB/BI » pour la charge de priorité 1.
- En utilisant le fil de 300 V c.a. fourni par l'installateur ou un fil de calibre supérieur et un serre-fils, connectez le fil de charge choisi au bloc de branchement du système de gestion de l'alimentation étiqueté « RLY/BI » pour la charge de priorité 1.
- Répétez les étapes de 11 à 13 pour toutes les autres priorités 120 V c.a. en utilisant les terminaux « CB/C1 » vers « RLY/D2 ».
- Pour les charges 240 V c.a. choisies, enlevez les deux fils du disjoncteur choisi et placez-les du côté charge du contacteur de l'installateur fourni.
- En utilisant le fil de 300 V c.a. fourni par l'installateur ou un fil de calibre supérieur, connectez le disjoncteur au côté ligne du contacteur.
- En utilisant le fil de 300 V c.a. fourni par l'installateur ou un fil de calibre supérieur, connectez le disjoncteur au bloc de branchement du système de gestion de l'alimentation étiqueté « CB/BI » pour la charge de priorité 1.
- En utilisant le fil de 300 V c.a. fourni par l'installateur ou un fil de calibre supérieur, connectez le neutre dans le panneau du disjoncteur principal à la bobine ce contacteur.
- En utilisant le fil de 300 V c.a. fourni par l'installateur ou un fil de calibre supérieur, connectez la bobine de contacteur au bloc de branchement du système de gestion de l'alimentation étiqueté « RLY/BI » pour la charge de priorité 1.

INSTALLATION

Figure 5 — Schéma d'Installation Typique du Système de Gestion de l'Alimentation



20. Répétez les étapes de 15 à 19 pour toutes les autres priorités 240V c.a., en utilisant les terminaux « CB/C1 » vers « RLY/D2 ».
21. Resserrez tous les raccords/attaches au couple approprié. Consultez la partie intérieure du boîtier du commutateur de transfert au sujet des couples de serrage appropriés.
22. Dans le panneau de disjoncteur principal, placez les disjoncteurs des charges choisies à ON (MARCHE).

IMPORTANT: Une fois que l'installation de la système de gestion de l'alimentation est terminée, ouvrez l'alimentation à la génératrice résidentielle auxiliaire et au commutateur de transfert. Attendez une minute avant de positionner la génératrice à AUTO.

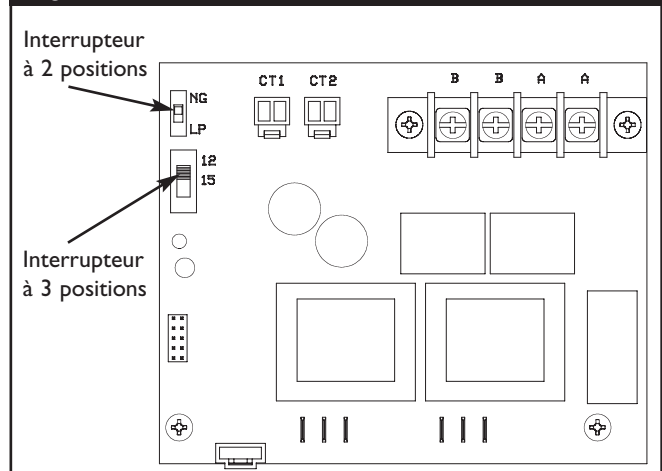
Configuration du système

Vous devez procéder aux étapes suivantes avant d'utiliser le système:

- Placez l'interrupteur coulissant à 2 positions du module de commande à la position NG ou LP (Figure 6), soit celle qui est appropriée à la génératrice résidentielle auxiliaire.

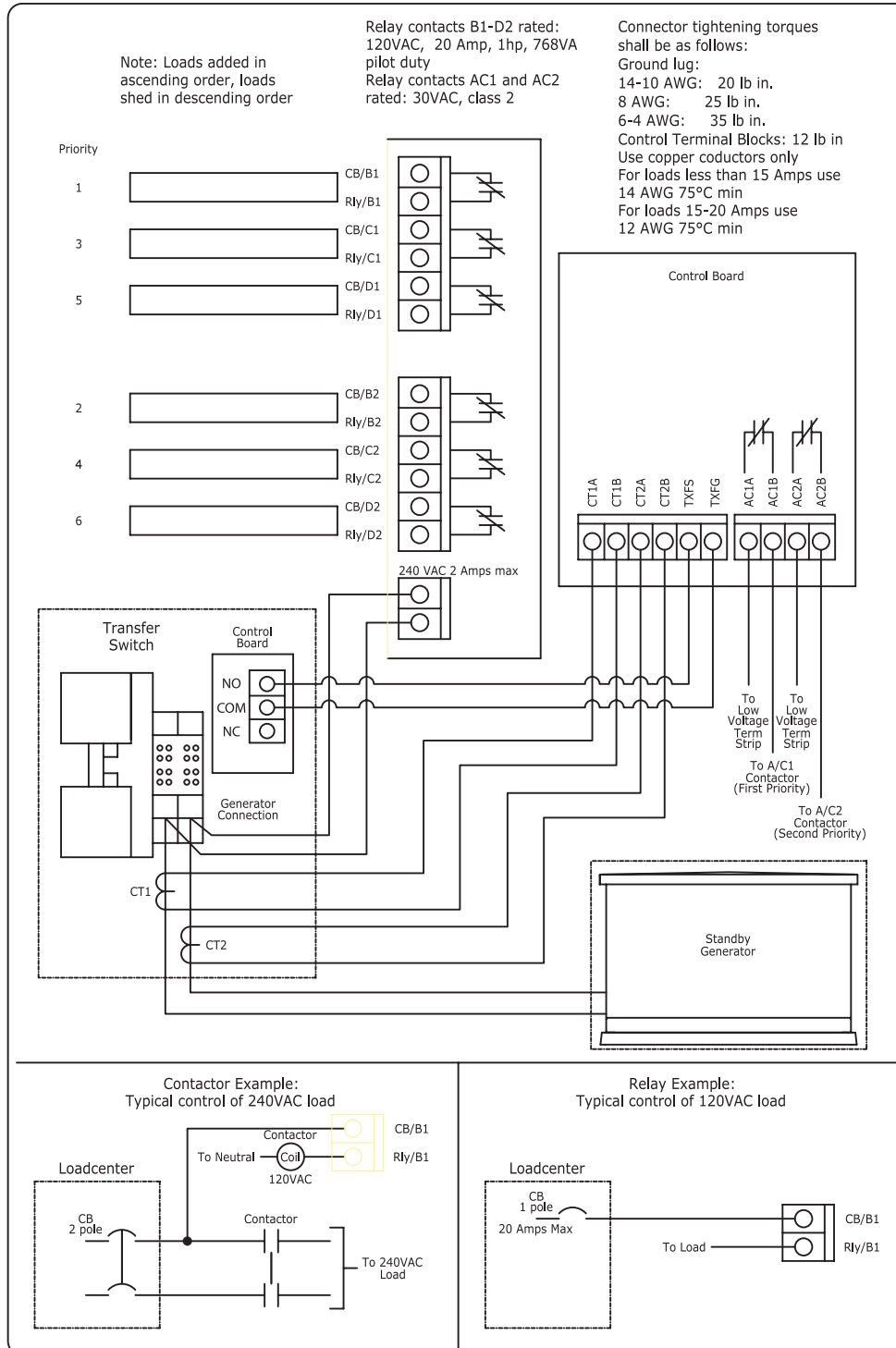
- Placez l'interrupteur coulissant à 3 positions du module de commande à la position qui correspond aux valeurs nominales de la génératrice résidentielle auxiliaire (figure 6).

Figure 6 — Module de commande



INSTALLATION

DÉCALCOMANIE D'INSTALLATION ÉLECTRIQUE



CARACTÉRISTIQUES

Tension nominale C.A.	125/250 Volts
Fréquence	50/60 Hz
Valeur nominale des contacts de relais	125 V c.a., 20 A, 1 HP, 768 A, régime de fonctionnement asservi
Poids	15,4 kg (34 lb)

FONCTIONNEMENT

Lorsque la génératrice résidentielle auxiliaire transmet de la puissance au commutateur de transfert, la génératrice résidentielle auxiliaire surveille continuellement l'alimentation de la génératrice vers le contrôleur de charge. Le système de gestion de l'alimentation surveille les deux lignes d'entrée de la génératrice et conserve la génératrice résidentielle auxiliaire chargée à 85 – 86 % de la charge nominale. Lorsque les transformateurs de courant d'une ligne détectent que le courant atteint 85 – 86 % de la charge nominale, le système de gestion de l'alimentation commencera à délester des charges en se basant sur les priorités les plus faibles en allant jusqu'aux priorités élevées. Lorsque le courant chute en dessous de 85 – 86 % de la charge nominale, le système de gestion de l'alimentation commencera à ajouter des charges en se basant d'abord sur les priorités les plus élevées, suivies des priorités secondaires les plus élevées jusqu'à ce que la génératrice atteigne 85 – 86 % de sa charge ou jusqu'à ce que toutes les priorités soient de nouveau en ligne. Le système de gestion de l'alimentation opérera de cette façon jusqu'à ce que le commutateur de transfert ne soit revenu à la position d'alimentation par le service.

Le système de gestion de l'alimentation attend 5 secondes entre l'ajout et le délestage de chacune des charges pour permettre la stabilisation du système. Lorsqu'un relais est ouvert, le relais demeurera ouvert pour un minimum de 5 minutes ou jusqu'à ce que la charge puisse être ajoutée sans que la génératrice n'excède 85 – 86 % de la charge nominale. Si une demande importante de charge est observée, le système de gestion de l'alimentation commence à délester les charges à une valeur aussi rapide que moins de 1,5 seconde, de sorte à empêcher la surcharge de la génératrice. Une fois que la demande s'est stabilisée et que des charges peuvent être de nouveau ajoutées, le système de gestion de l'alimentation commencera avec la priorité la plus élevée, attendra 5 secondes et ajoutera la priorité suivante. L'appareil continuera ainsi jusqu'à ce que toutes les charges soient ajoutées ou que 85 – 86 % de la charge nominale soit atteint.

Lorsque la génératrice alimente des charges, les relais c.a. sont ouverts. Lorsque l'un ou l'autre des relais détecte 24 V c.a. des thermostats, le contrôleur délester les charges B1-D2, et ne permettra qu'à un seul relais c.a. de se fermer. A1 a la priorité sur A2. A2 peut fermer lorsque le signal pour A1 est expiré. Lors d'une demande de fonctionnement en c.a., toutes les charges sont délestées avant que l'appareil c.a. puisse être ajouté. Si une demande c.a. 1 est en cours alors que c.a. 2 est en mode de fonctionnement, tous les relais s'ouvriraient, puis c.a. 1 pourra se fermer. Lorsque les relais c.a. sont ouverts, ils sont verrouillés pour un minimum de 5 minutes ou jusqu'à ce qu'ils reçoivent le signal de démarrer le c.a.

MISE À L'ESSAI DU SYSTÈME DE GESTION DE L'ALIMENTATION

Alors que la génératrice est en position « **Auto** », placez l'interrupteur de l'alimentation alimentant le contacteur du commutateur de transfert à la position « **Off** » (Arrêt). La génératrice s'amorcera et le commutateur de transfert passera à l'alimentation par la génératrice.

Appuyez sur le bouton de mise à l'essai sur le tableau de commande du système de gestion de l'alimentation.

Dès l'enfoncement du bouton, un relais s'amorcera. Chaque fois que le bouton est enfoncé, le relais précédent qui avait été activé sera désactivé et le relais suivant sera activé. Appuyez une fois sur le bouton de mise à l'essai et le relais B2 sera activé. Appuyez à nouveau sur le bouton et B2 sera désactivé alors que C1 s'activera. La procédure se poursuivra jusqu'à ce que tous les relais aient été vérifiés ou jusqu'à ce que le bouton n'ait pas été enfoncé pour une période de 30 secondes, la séquence de mise à l'essai s'arrêtera et le système retournera au contrôle automatique.

Pour revenir à l'alimentation de service, placez l'interrupteur de l'alimentation alimentant le contacteur du commutateur de transfert à la position « **On** » (MARCHE).

Si vous Devez Communiquer avec l'Usine

Avant de contacter Briggs & Stratton au sujet de l'entretien ou de la réparation de ce système de gestion de l'alimentation, veuillez noter les numéros de modèle et de série indiqués sur le décalque apposé sur l'appareil ou à l'intérieur de celui-ci.

Pour contacter Briggs & Stratton, veuillez appeler au (800) 743-4115 de 8 h à 17 h HNC.

DÉPANNAGE

PROBLÈMES	CAUSE	SOLUTION
Les charges réglables (climatiseur, etc.) ne fonctionnent pas lorsque la génératrice alimente des appareils	1. Les contacts « AC1A » - « AC2B » ne fonctionnent pas correctement.	1A. Vérifiez le fonctionnement des contacts « AC1A » - « AC2B ». B. Le câblage de commande vers des charges externes. C. Vérifiez que les faisceaux entre les cartes sont adéquatement connectés. D. Vérifiez la présence de 24V c.a. à l'un des terminaux. E. Assurez-vous que le délai de 5 minutes de verrouillage est expiré. F. Assurez-vous que le délai de transfert du climatiseur est expiré.
	2. Charge trop élevée pour la génératrice.	2. Réduisez la charge de la génératrice.
	3. Transformateur de courant pas connecté.	3. Connectez le transformateur de courant.
	4. Transformateur de courant défectueux.	4. Remplacez le transformateur de courant.
	5. Statut DEL reste lit constamment.	5. Contacter négociant de service Autorisé.

FICHE TECHNIQUE

FICHE TECHNIQUE DE CHARGE ÉLECTRIQUE

Priorité	Appareils électriques 120 V c.a.	Priorité	Appareils électriques 240 V c.a.
	Climatiseur de fenêtre 1		Climatiseur central 1
	Climatiseur de fenêtre 2		Climatiseur central 2
	Climatiseur de fenêtre 3		Cuisinière électrique
	Réfrigérateur 1		Sécheuse
	Réfrigérateur 2		Pompe de puits
	Congélateur 1		Spa
	Congélateur 2		Chauffage de piscine
	Four micro-onde		Chauffe-eau
	Salle de bain		Autre: _____
	Chauffage auxiliaire		Autre: _____
	Système de cinéma maison		Autre: _____
	Chauffage du garage		
	Chauffe-eau de l'évier		
	Pompe de puisard		
	Autre: _____		
	Autre: _____		
	Autre: _____		

IMPORTANT: NE connectez PAS d'appareil de chauffage central et de pompe de puisard au système de gestion de l'alimentation.

GARANTIE DU PROPRIÉTAIRE DU COMMUTATEUR DE TRANSFERT BRIGGS & STRATTON POWER PRODUCTS GROUP, LLC

Prise d'effet au 1^{er} Novembre 2005, annule et remplace toutes les garanties précédentes et les garanties antérieures au 1^{er} Novembre 2005

GARANTIE LIMITÉE

Briggs & Stratton Power Products Group, LLC réparera ou remplacera, sans frais, toutes pièces d'équipement défectueuses comportant un vice de matériau ou un défaut de fabrication ou les deux. En vertu de la présente garantie, les frais de transport des produits soumis pour réparation ou remplacement sont à la charge de l'acheteur. La présente garantie sera en vigueur durant les périodes stipulées ci-dessous et est assujettie aux conditions stipulées ci-dessous. Pour obtenir des services en vertu de la garantie, veuillez consulter notre Outil de recherche d'un Service après-vente agréé au <http://www.briggspowerproducts.com> afin de trouver un distributeur de service après-vente agréé dans votre région.

IL N'EXISTE AUCUNE AUTRE GARANTIE EXPRESSE. LES GARANTIES IMPLICITES, INCLUANT CELLES DE QUALITÉ MARCHANDE ET D'ADAPTATION À UN USAGE PARTICULIER, SONT LIMITÉES À UNE PÉRIODE D'UN AN À PARTIR DE LA DATE D'ACHAT OU JUSQU'À LA LIMITE PERMISE PAR LA LOI, TOUTE GARANTIE IMPLICITE EST EXCLUE. LA RESPONSABILITÉ POUR DOMMAGES ACCESSOIRES OU INDIRECTS EST EXCLUE DANS LA MESURE OÙ UNE TELLE EXCLUSION EST PERMISE PAR LA LOI. Certains États/provinces ou pays n'autorisent aucune restriction sur la durée d'une garantie implicite, et certains États/provinces ou pays n'autorisent pas l'exclusion ou la limitation des dommages consécutifs ou indirects. Par conséquent, les restrictions et exclusions décrites ci-dessus pourraient ne pas s'appliquer dans votre cas. La présente garantie vous accorde certains droits légaux spécifiques et vous pourriez également en avoir d'autres, qui peuvent varier d'un État ou d'une province à l'autre et d'un pays à l'autre.

PÉRIODE DE GARANTIE

Usage par un consommateur	3 ans
Usage à des fins commerciales	aucune

La période de garantie débute à la date d'achat par le premier acheteur au détail ou par le premier utilisateur commercial final, et se prolonge pour la durée stipulée dans le tableau ci-dessus. "Usage par un consommateur" signifie utilisation domestique personnelle dans une résidence, par l'acheteur au détail. "Usage à des fins commerciales" signifie toute autre utilisation, y compris à des fins commerciales, générant de revenus ou de location. Aux fins de la présente garantie, dès qu'un équipement a été utilisé commercialement une fois, il est par la suite considéré comme étant d'usage à des fins commerciales. L'équipement utilisé pour l'alimentation principale n'est pas couvert par la présente garantie.

POUR EXERCER LA GARANTIE SUR TOUT PRODUIT FABRIQUÉ PAR BRIGGS & STRATTON, IL N'EST PAS NÉCESSAIRE DE L'ENREGISTRER. CONSERVEZ LE REÇU COMME PREUVE D'ACHAT. SI, LORS D'UNE RÉCLAMATION DE GARANTIE, VOUS NE POUVEZ PROUVER LA DATE INITIALE DE L'ACHAT, NOUS UTILISERONS LA DATE DE FABRICATION DU PRODUIT COMME DATE DE RÉFÉRENCE POUR DÉTERMINER LA PÉRIODE DE GARANTIE.

À PROPOS DE LA ÉQUIPEMENT GARANTIE

Nous acceptons de faire effectuer les réparations couvertes par la garantie et tenons à nous excuser pour tout inconvénient subi. Tout agent d'un service après-vente agréé peut exécuter les réparations couvertes par la garantie. La plupart des réparations couvertes par la garantie sont traitées automatiquement; cependant, il arrive parfois que les demandes de service en vertu de la garantie soient non fondées. Par exemple, la garantie ne couvre pas les dommages causés à l'équipement par une utilisation abusive, par un manque d'entretien périodique, durant l'expédition, la manutention ou l'entreposage, ou en raison d'une installation inadéquate. De même, la garantie sera annulée si la date de fabrication ou le numéro de série apposé à l'équipement a été enlevé ou si l'équipement a été changé ou modifié. Durant la période de garantie, le distributeur de service après-vente agréé réparera ou remplacera, à son gré, toute pièce qui, après examen, est trouvée défectueuse à la suite d'une utilisation et d'un entretien normaux. La présente garantie ne couvre pas les réparations et les équipements suivants:

- **Usure normale:** Comme tout autre dispositif mécanique, les groupes électrogènes d'extérieur nécessitent l'entretien périodiques de certaines pièces pour fonctionner adéquatement. La présente garantie ne couvre pas les frais de réparation des pièces ou des équipements dont la durée de vie utile a été dépassée à la suite d'une utilisation normale.
- **Installation et entretien:** La présente garantie ne couvre pas les équipements ou les pièces qui ont fait l'objet d'une installation ou de modifications et de changements inadéquats ou non autorisés, d'une mauvaise utilisation, de négligence, d'un accident, d'une surcharge, d'entretien inadéquat, de réparation ou d'entreposage qui, selon nous, auraient nui à la performance et à la fiabilité du produit. De plus, la garantie ne couvre pas l'entretien normal tel que le réglage, le nettoyage et remplacement de fusible.
- **Exclusions supplémentaires:** La présente garantie exclut les pièces qui s'usent ou tout dommage ou tout mauvais fonctionnement résultant d'un accident, d'une utilisation abusive, de modifications, de changements ou d'un entretien inadéquat du système. La garantie du produit ne couvre pas les pièces accessoires. Cette garantie exclut toute défaillance due à une catastrophe naturelle ou à toute autre force majeure hors du contrôle du fabricant. Est aussi exclu tout équipement usé, remis à neuf ou de démonstration.

BRIGGS & STRATTON POWER PRODUCTS GROUP, LLC
JEFFERSON, WI, USA


TABLA DE CONTENIDO


TABLA DE CONTENIDO

TABLA DE CONTENIDO.....	28	Interconexiones de Cableado de Energía.....	33-34
INSTRUCCIONES IMPORTANTES DE SEGURIDAD	29	Configuración del Sistema	34
INTRODUCCIÓN	30	ALAMBRAR LA CALCOMANÍA.....	35
Para el Propietario Doméstico	30	ESPECIFICACIONES	36
Para el Agente de Ventas/Contratista.....	30	SISTEMA FUNCIONAMIENTO.....	36
Orientación para el Propietario.....	31	PRUEBA DEL CONECTADOR AUTOMÁTICO	36
Responsabilidades del Instalador	31	Si Llama a la Fábrica	36
Descripción del Equipo	31	REPARACION DE AVERIAS	37
INSTALACIÓN.....	32	HOJA DE TRABAJO.....	38
Desempaque.....	32	NOTAS	39
Inspección al Momento de la Entrega	32	VISTAS AMPLIADAS, LISTAS DE PIEZAS	13
Contenido de la Caja.....	32	GARANTIA	40
Pautas de Montaje	32		

CONSERVE ESTAS INSTRUCCIONES

INSTRUCCIONES IMPORTANTES DE SEGURIDAD

 Éste es el símbolo de alerta de seguridad. Sirve para advertir al usuario de un posible riesgo para su integridad física. Siga todos los mensajes de seguridad que figuren después de este símbolo para evitar lesiones o incluso la muerte.

El símbolo de alerta de seguridad () es usado con una palabra (PELIGRO, ADVERTENCIA, PRECAUCIÓN), un mensaje por escrito o una ilustración, para alertarlo acerca de cualquier situación de peligro que pueda existir. **PELIGRO** indica un riesgo el cual, si no se evita, *causará* la muerte o una herida grave.

ADVERTENCIA indica un riesgo el cual, si no se evita, *puede* causar la muerte o una herida grave. **PRECAUCIÓN** indica un riesgo, el cual, si no se evita, *puede* causar heridas menores o moderadas. **PRECAUCIÓN**, cuando se usa *sin* el símbolo de alerta, indica una situación que podría resultar en el daño del equipo. Siga los mensajes de seguridad para evitar o reducir los riesgos de heridas e inclusive la muerte.

El fabricante no puede prever todas las posibles circunstancias que pueden implicar riesgos. Por lo tanto, las advertencias que aparecen en este manual y las etiquetas y calcomanías adheridas a la unidad no incluyen todas las posibilidades. Si aplica un procedimiento, método de trabajo o técnica de operación no recomendada específicamente por el fabricante, debe estar seguro de que se trata de una práctica segura para usted y para otras personas. También debe asegurarse de que el procedimiento, método de trabajo o técnica de operación que elija, no haga que el sistema de gestión de energía eléctrica se torne inseguro.

ADVERTENCIA

Únicamente los electricistas capacitados pueden intentar instalar este sistema. Dicha instalación debe cumplir estrictamente con los códigos, las regulaciones y las normas correspondientes.

ADVERTENCIA



Los cables de baja tensión no se pueden instalar en el mismo conducto que los cables de suministro de energía.

- Si no se respeta esta indicación pueden producirse lesiones, daños y/o fallos de funcionamiento del equipo.

ADVERTENCIA



Si no hace tierra apropiadamente con un sistema de gestión de energía eléctrica, puede hacer que ocurra un electrocutamiento.

- NO toque los alambres pelados o receptáculos.
- NO use un sistema de gestión de energía eléctrica con cables eléctricos que estén malgastados, rotos, pelados o dañados de cualquier forma.
- NO maneje el cables eléctricos mientras esté parado en agua, descalzo o cuando las manos y los pies estén mojados.
- Si fuera necesario realizar trabajos en cercanías de la unidad mientras está en funcionamiento, párese sobre una superficie seca y aislada para reducir los riesgos de una descarga.
- NO permita que personas descalzadas o niños operen o sirvan al sistema de gestión de energía eléctrica.
- En caso de que se produzca un accidente causado por una descarga eléctrica, cierre inmediatamente la fuente de energía eléctrica y contacta administración local. **Evite el contacto directo con la víctima.**

ADVERTENCIA



El sistema de gestión de energía eléctrica contiene alta tensión que puede provocar lesiones o la muerte.

- A pesar del diseño seguro del sistema de gestión de energía eléctrica, si se opera este equipo en forma imprudente, si no se cumple con el mantenimiento o si se actúa con descuido, se pueden producir lesiones o la muerte.

PRECAUCIÓN

El tratamiento inadecuado del sistema de gestión de energía eléctrica puede dañarlo y acortar su vida productiva.

- Use el sistema de gestión de energía eléctrica solamente con la finalidad para el cual fue diseñado.
- Si usted tiene alguna pregunta acerca de las finalidades de uso del generador, pregúntele a su concesionario o contacte a Briggs and Stratton.
- NO exponga al sistema de gestión de energía eléctrica a una humedad excesiva, polvo, suciedad o vapores corrosivos.
- Permanezca siempre alerta cuando trabaje con este equipo. **NUNCA** trabaje con este equipo si se siente cansado física o mentalmente.
- Si se calientan excesivamente los dispositivos conectados, apáguelos y abra sus interruptores o quite sus fusibles.

INTRODUCCIÓN

Muchas gracias por comprar este sistema de gestión de energía eléctrica de Briggs & Stratton. Este producto está pensado para utilizarlo ÚNICAMENTE con conectadores automáticos y un sistema doméstico de reserva de Briggs & Stratton. Se trata de un sistema automatizado opcional que controlará la distribución de energía eléctrica desde un sistema de reserva doméstico (generador) a cargas domésticas seleccionadas.

Briggs & Stratton (B&S) ha hecho todo lo posible para lograr una instalación segura, eficiente y rentable. Como cada instalación es única, es imposible conocer e informar acerca de todos los procedimientos y métodos mediante los cuales se puede realizar la instalación. Tampoco es posible conocer los riesgos o resultados potenciales de cada método o procedimiento. Por todo lo expuesto,

La instalación de los sistema de gestión de energía eléctrica debe estar a cargo de contratistas especializados en electricidad, sin excepciones. Las instalaciones deben cumplir estrictamente con todos los códigos, regulaciones y normas industriales aplicables.

Su sistema de gestión de energía eléctrica B&S se suministra con este "Manual de Instalación y del Operario" combinado. Se trata de un documento importante que debe ser conservado por el propietario después de haber terminado la instalación.

Se han tomado todos los recaudos posibles para asegurar que la información incluida en este manual sea correcta y esté actualizada. Sin embargo, los fabricantes se reservan el derecho de cambiar, alterar o mejorar el sistema de cualquier otra manera y en cualquier momento, sin previo aviso.

Para el Propietario Doméstico

Para que pueda tomar decisiones fundamentadas y lograr una comunicación efectiva con el o los contratistas de instalación,

Lea y comprenda la sección de este manual denominada Orientación para el Propietario ANTES de contratar o iniciar la instalación de su sistema de gestión de energía eléctrica.

Para coordinar y organizar una instalación adecuada, consulte al comercio en el cual adquirió su sistema de gestión de energía eléctrica Briggs & Stratton, a su agente de ventas o a la compañía proveedora de electricidad.

La garantía del sistema de gestión de energía eléctrica se ANULA si la instalación del sistema no está a cargo de profesionales especializados en electricidad certificados.

Para el Agente de Ventas/Contratista que Realiza la instalación

Consulte los aspectos de la instalación con un inspector.

Si necesita más información en sistema de gestión de energía eléctrica, llame al 1-800-743-4115, entre las 8:00 AM y las 5:00 PM hora del centro.

Orientación para el Propietario

Las ilustraciones se aplican a circunstancias típicas y están destinadas a que usted se familiarice con las opciones de instalación disponibles con su sistema de gestión de energía eléctrica.

Los códigos locales, la apariencia y las distancias son los factores fundamentales a tener en cuenta cuando se realiza la negociación con el profesional que tendrá a su cargo la instalación. Recuerde que a medida que la distancia del servicio de electricidad existente aumenta, se debe tener en cuenta una compensación igual en los materiales de cableado. Esto es necesario para cumplir con los códigos locales y solucionar caídas en la tensión eléctrica.

Los factores antes mencionados tendrán un efecto directo sobre el precio general de la instalación del sistema de gestión de energía eléctrica.

NOTA: El instalador debe verificar los códigos locales Y obtener los permisos correspondientes antes de instalar el sistema.

- Lea y cumpla las instrucciones incluidas en el manual.
- Siga un programa regular para cuidar y utilizar el sistema de gestión de energía eléctrica, según se especifica en el manual.

Responsabilidades del Instalador

- Lea y observe las reglas de seguridad que se encuentran en el manual.
- Lea y siga las instrucciones que se encuentran en este manual.
- Consulte toda la normativa nacional y local.
- Consulte al propietario para determinar las cargas que se tienen que controlar y sus prioridades.

NOTA: En la página 38 figura una hoja de trabajo para determinar cuáles son las cargas que se tienen que transferir y sus prioridades.

- Puede ser necesario suministrar contactores de características nominales apropiadas basadas en las cargas que se tienen que controlar.

Descripción del Equipo

El sistema de gestión de energía eléctrica está diseñado para controlar seis cargas prioritarias y hasta dos cargas de acondicionadores de aire a los que se alimenta desde el sistema de reserva doméstico. Este sistema de gestión de energía eléctrica pasa a un modo de RESERVA y no controla ninguna carga cuando hay tensión de la red.

El sistema de gestión de energía eléctrica consta de una tarjeta de relés con 6 relés para controlar cargas nominales de hasta 120 V CA, 20 A, 1 CV y una tarjeta de control que tiene dos relés para cargas de acondicionadores de aire centralizados. Las tarjetas de circuito impreso están alojadas en una caja NEMA 3R que es adecuada para instalaciones en interiores y a la intemperie.

Dos (2) transformadores de corriente supervisan la corriente del generador y el conector, con el objeto de asegurar que la carga del generador no superará el 85%. En el caso de que la carga supere el 85%, el sistema de gestión de energía eléctrica comenzará a desconectar cargas para evitar que se sobrecargue el generador. El sistema de gestión de energía eléctrica volverá a conectar las cargas una vez que haya suficiente corriente disponible.

La tarjeta de control tiene un LED verde para cada relé para indicar cuándo están suministrando energía eléctrica los relés a las cargas cuando el generador de energía eléctrica está funcionando. Hay también un posición LED eso destella cuándo el sistema de gestión de energía eléctrica funciona apropiadamente.

INSTALACIÓN

Desempaque

Inspección al Momento de la Entrega

Luego de retirar la caja, inspeccione cuidadosamente los componentes del sistema de gestión de energía eléctrica de energía automática para detectar cualquier daño que pudiera haber ocurrido durante el traslado.

IMPORTANTE: Si en el momento de la entrega se detecta alguna pérdida o daño, solicite a la persona o personas encargadas de la entrega que dejen debida constancia en la nota de entrega y que firmen debajo de la nota del consignador donde se informa acerca de la pérdida o daño. Si la pérdida o el daño se detecta después de la entrega, separe los materiales dañados y póngase en contacto con el transportista para llevar a cabo los procedimientos de reclamo. Las piezas perdidas o dañadas no están garantizadas.

Contenido de la Caja

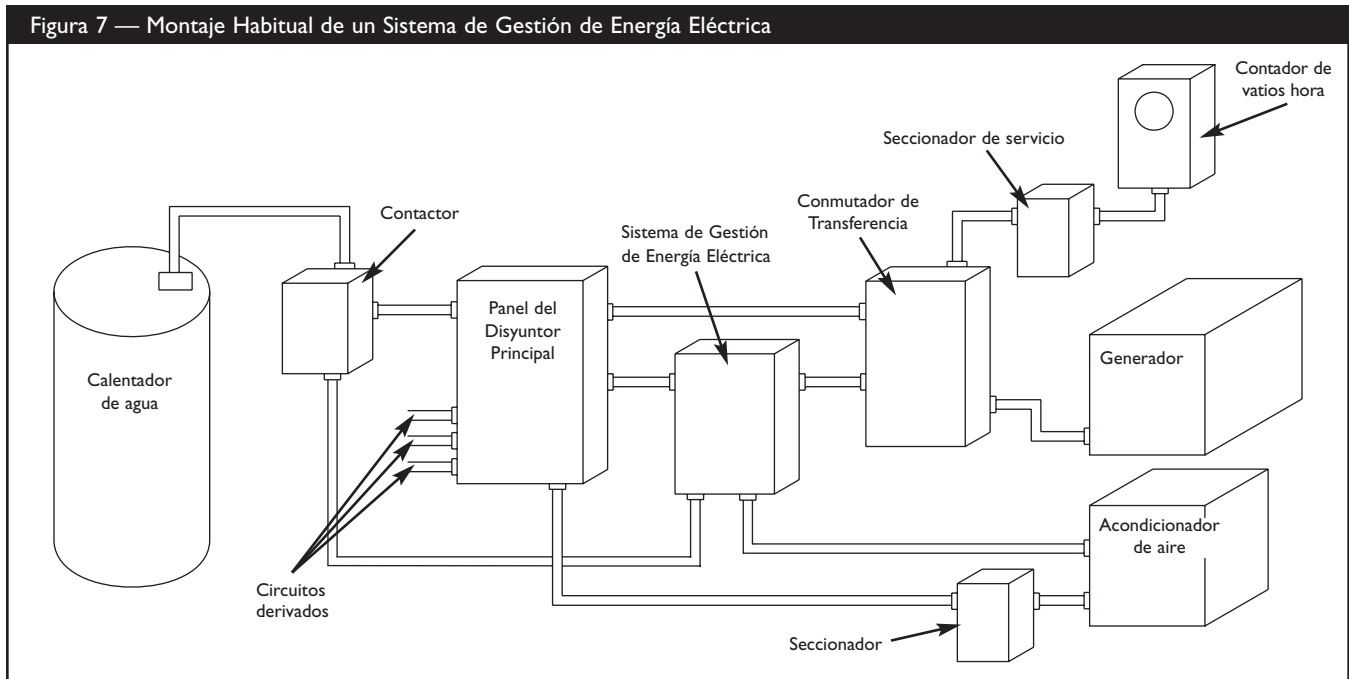
- Sistema de gestión de energía eléctrica
- Manual de instalación y operario
- Conectores de cables (4)
- Terminales macho doble, hembra sencillo de 1/4" (2)

Pautas de Montaje

El sistema de gestión de energía eléctrica está encerrado en una caja tipo 3R NEMA, que es adecuada para uso en interiores y a la intemperie. Las directrices para el montaje de sistema de gestión de energía eléctrica incluyen:

- Instale el sistema de gestión de energía eléctrica sobre una estructura de soporte firme y resistente.
- El sistema de gestión de energía eléctrica se debe instalar con conexiones mínimas de conduit de fo de hardware de NEMA 3R.
- Nivele la unidad si es necesario. Puede hacerlo colocando arandelas entre el compartimiento del sistema de gestión de energía eléctrica y la superficie de montaje.
- NUNCA instale el sistema de gestión de energía eléctrica en un lugar en el cual pueda producirse el goteo de alguna sustancia corrosiva en el compartimiento.
- Proteja permanentemente al sistema de gestión de energía eléctrica contra humedad excesiva, polvo, suciedad, pelusas, arenilla para construcción y vapores corrosivos.



La Figura 7 ilustra la instalación habitual del sistema de gestión de energía eléctrica. Lo mejor es montarlo cerca del panel de interruptores principales en el interior o en el exterior. Antes de iniciar el proceso de instalación del sistema, analice los cambios y sugerencias de diagramación con el propietario de la unidad.



Interconexiones de Cableado de Energía

Todo el cableado debe tener el tamaño adecuado y debe estar correctamente soportado. También debe estar protegido mediante un conducto.

Realice las conexiones siguientes entre el conector, el sistema de gestión de energía eléctrica y el panel principal de distribución (Figura 8 de la página siguiente). Vea también la calcomanía de alambrado en la página 35.

	ADVERTENCIA
	Los cables de baja tensión no se pueden instalar en el mismo conducto que los cables de suministro de energía.
<ul style="list-style-type: none"> • Si no se respeta esta indicación pueden producirse lesiones, daños y/o fallos de funcionamiento del equipo. 	

PRECAUCIÓN
Una instalación incorrecta puede producir daños en las tarjetas de circuito impreso y acortar su duración. La corriente de irrupción o la conexión a tierra de terminales a causa de manipulaciones durante la instalación producirá daños en la tarjeta de circuito impreso y no es una condición de garantía.
<ul style="list-style-type: none"> • Desconecte toda la alimentación antes de la instalación de este sistema de gestión de energía eléctrica. Si no lo hace, se producirán daños internos en la tarjeta al hacer las conexiones eléctricas. • Ponga el generador en la posición OFF. • Desconecte la alimentación de la red al generador de reserva doméstico y al conector.

1. Ponga el interruptor principal del generador en la posición **OFF** (abierto).
2. Identifique las cargas y sus prioridades (utilizando la hoja suministrada) a transferir al sistema de gestión de energía eléctrica en el panel de interruptores principales.
3. En el panel de interruptores principales ponga los interruptores de las cargas seleccionadas en la posición OFF.
4. Conecte el terminal "GND" a una toma de tierra aprobada.

NOTA: Compruebe que el conductor del electrodo de conexión a tierra está conectado conforme a la normativa vigente.

5. Utilizando los terminales macho doble, hembra sencillo de 1/4" suministrados, conecte los 240 V CA del generador desde el conector hasta la tarjeta de relés del sistema de gestión de energía eléctrica.
6. Quite transformador de corriente de la tabla de director en el interruptor de la transferencia.
7. Corte los extremos del conector de dos clavijas de los terminales del transformador de corriente y deséchelos. Retire el revestimiento de los cables y colóquelos en los conectores de cables suministrados.

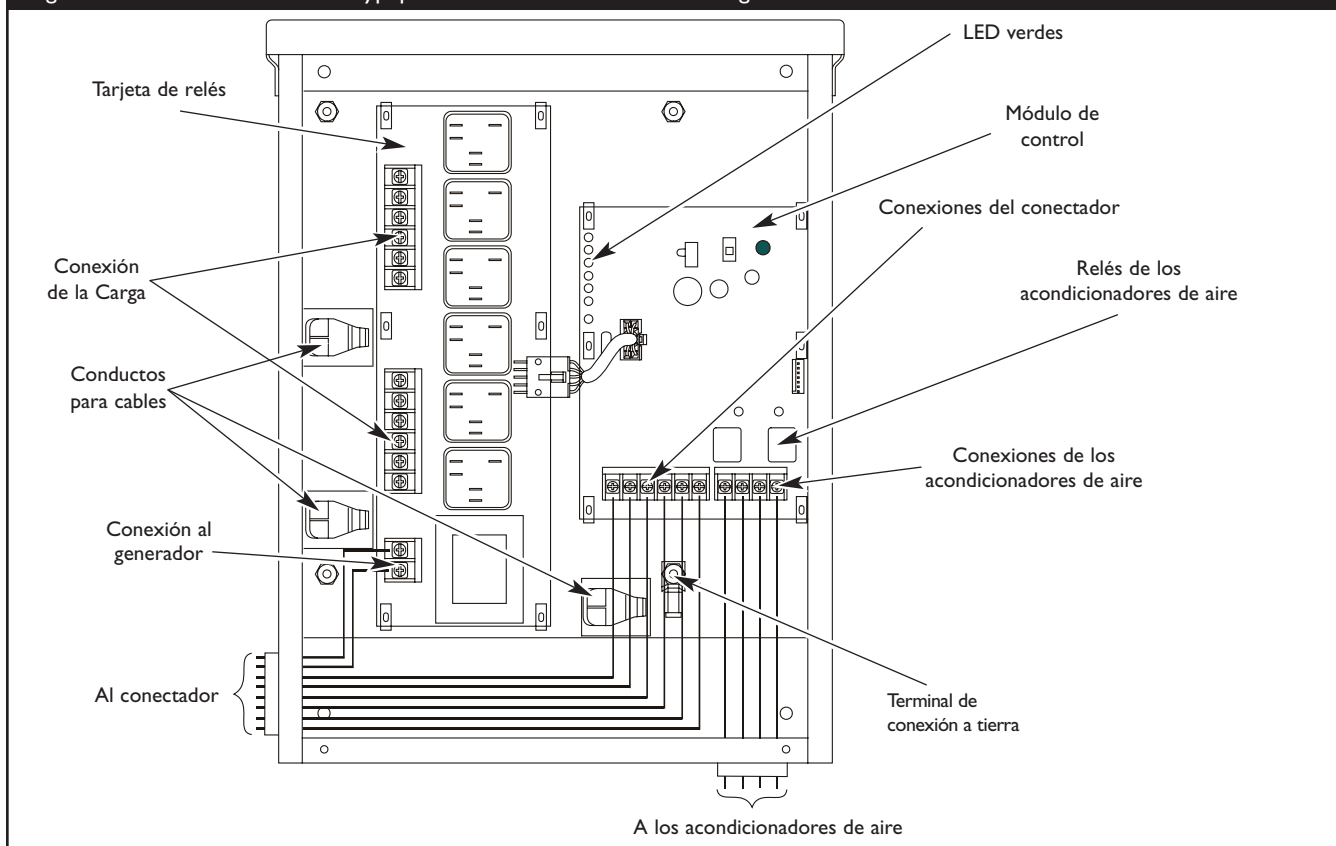
8. Utilizando el cable de 300 V CA suministrado por el instalador o un cable superior, tienda los cables desde los conectores de cables hasta la regleta de terminales de la tarjeta de control con las etiquetas "CT1A" a "CT2B" del sistema de gestión de energía eléctrica.
9. Utilizando el cable de 300 V CA suministrado por el instalador o un cable superior, conecte los terminales de la tarjeta de control "B-B" del conector con la regleta de terminales de la tarjeta de control con las etiquetas "TXSF" y "TXSG" del sistema de gestión de energía eléctrica.
10. Conecte el cableado de control del termostato del acondicionador de aire con la tarjeta de control con las etiquetas "AC1A-AC2B" del sistema de gestión de energía eléctrica.

NOTA: AC1A y AC1B corresponden al acondicionador de aire con prioridad 1. AC2A y AC2B corresponden al acondicionador de aire con prioridad 2.

11. Para las cargas seleccionadas de 120 V CA, desconecte el cable del interruptor de la carga seleccionada.
12. Utilizando el cable de 300 V CA suministrado por el instalador o un cable superior, conecte el interruptor de la carga seleccionada a la regleta de terminales del sistema de gestión de energía eléctrica con la etiqueta "CB/B1" para la carga con prioridad 1.
13. Utilizando el cable de 300 V CA suministrado por el instalador o un cable superior, conecte el cable de la carga seleccionada a la regleta de terminales del sistema de gestión de energía eléctrica con la etiqueta "RLY/B1" para la carga con prioridad 1.
14. Repita los pasos 11 al 13 para todas las demás prioridades de 120 V CA utilizando los terminales "CB/C1" a "RLY/D2".
15. Para cargas seleccionadas de 240 V CA, desconecte los dos cables del interruptor de la carga seleccionada y colóquelos en el lado de la carga del contactor suministrado por el instalador.
16. Utilizando el cable de 300 V CA suministrado por el instalador o un cable superior, conecte el interruptor al lado de la línea del contactor.
17. Utilizando el cable de 300 V CA suministrado por el instalador o un cable superior, conecte el interruptor a la regleta de terminales del sistema de gestión de energía eléctrica con la etiqueta "CB/B1" para la carga con prioridad 1.
18. Utilizando el cable de 300 V CA suministrado por el instalador o un cable superior, conecte el neutro del panel de interruptores principales a la bobina del contactor.
19. Utilizando el cable de 300 V CA suministrado por el instalador o un cable superior, conecte la bobina del contactor a la regleta de terminales del sistema de gestión de energía eléctrica con la etiqueta "RLY/B1" para la carga con prioridad 1.

INSTALACIÓN

Figura 8 — Schéma d'Installation Typique du Sistema de Gestión de Energía Eléctrica



20. Repita los pasos 15 al 19 para todas las demás prioridades de 240 V CA utilizando los terminales "CB/C1" a "RLY/D2".
21. Apriete de todas las conexiones de los cables y elementos de fijación al par adecuado. Consulte los valores de par correctos en el interior de la caja del sistema de gestión de energía eléctrica.
22. En el panel de interruptores principales ponga los interruptores de las cargas seleccionadas en la posición ON.

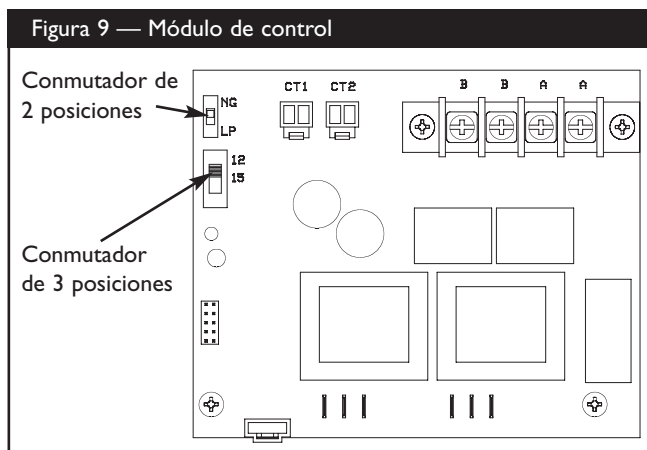
IMPORTANTE: Después de terminar la instalación de la sistema de gestión de energía eléctrica impreso, conecte la alimentación de la red al generador de reserva doméstico y al conector. Espere un minuto antes de poner el generador en la posición AUTO.

Configuración del Sistema

Lleve a cabo los siguientes pasos antes de poner en funcionamiento el sistema:

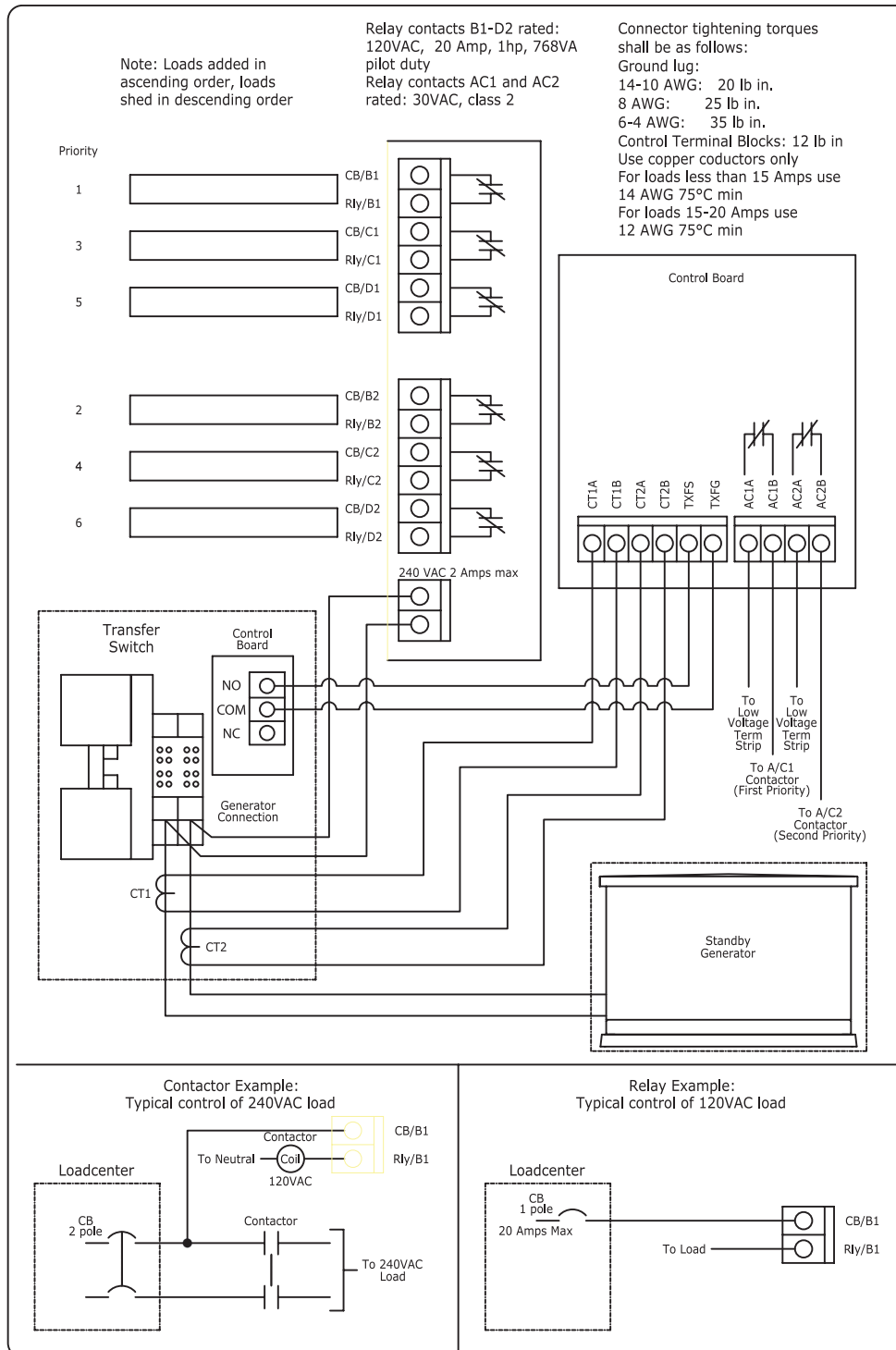
- Coloque el conmutador deslizante de 2 posiciones en el módulo de control, en la posición NG o LP (Figura 9), según corresponda al sistema de reserva doméstico instalado.

- Coloque el conmutador deslizante de 3 posiciones en el módulo de control de manera que coincida con el valor nominal del sistema de reserva doméstico (Figura 9).



INSTALACIÓN

ALAMBRAR LA CALCOMANÍA



ESPECIFICACIONES

Tensión nominal c.a.	125/250 V
Frecuencia50/60 Hz
Características nominales de los contactos de los relés	125 V CA, 20 A, 1 CV, 768 VA, servicio piloto
Peso34 lbs.

SISTEMA FUNCIONAMIENTO

Cuando el sistema de reserva doméstico está alimentando tensión al conector, el sistema de gestión de energía eléctrica está supervisando constantemente la potencia suministrada por el generador a las cargas controladas. El sistema de gestión de energía eléctrica supervisa las líneas entrantes del generador y mantiene el sistema de reserva doméstico cargado al 85-86% de la carga nominal. Cuando los transformadores de corriente de cualquier línea comienzan a detectar que la corriente alcanza el 85-86% de la carga nominal, el sistema de gestión de energía eléctrica comienza a desconectar cargas comenzando por las de prioridad más baja y continúa hasta llegar a la de prioridad más alta. Cuando la corriente desciende por debajo del 85-86% de la carga nominal, el sistema de gestión de energía eléctrica comienza a conectar cargas comenzando por la de prioridad más alta y sigue conectando cargas por orden de prioridad hasta que el generador alcanza el 85-86% de la carga nominal o hasta que todas las cargas con prioridad están de nuevo conectadas. El sistema de gestión de energía eléctrica funcionará de esta manera hasta que el conector vuelva a ponerse en la posición de alimentación desde la red.

El sistema de gestión de energía eléctrica espera 5 segundos antes de conectar o desconectar cada carga para permitir que se establezca el sistema. Cuando se abre un relé, permanece abierto durante 5 minutos como mínimo o hasta que se puede añadir carga sin hacer que el generador sobrepase el 85-86% de la carga nominal. Si se detecta una demanda de carga grande, el sistema de gestión de energía eléctrica desconectará cargas a una velocidad mayor de 1,5 segundos para evitar que se sobrecargue el generador. Una vez que se haya estabilizado la demanda y que se puedan añadir cargas de nuevo, el sistema de gestión de energía eléctrica comenzará por la de prioridad más alta, esperará durante 5 segundos y luego conectará la carga con la siguiente prioridad. La unidad continuará haciendo esto hasta que se conecten todas las cargas o se alcance el 85-86% de la carga nominal.

Cuando el generador está alimentando cargas, los relés de los acondicionadores de aire están abiertos. Cuando uno o los dos relés detectan 24 V CA procedentes del termostato o termostatos, el controlador desconecta las cargas B1-D2 y entonces sólo permite que cierre uno de los relés de los acondicionadores de aire. A1 tiene prioridad con respecto a A2. A2 puede cerrar cuando la señal para A1 ha expirado. Cuando se solicita el funcionamiento de los acondicionadores de aire, se tienen que desconectar todas las cargas para poder conectar el acondicionador de aire. En caso de haber demanda para el acondicionador de aire 1 estando funcionando el acondicionador de aire 2, se abrirá el relé del acondicionador de aire 2, se abrirán todos los relés y entonces podrá cerrar el relé del acondicionador de aire 1. Cuando abren los relés de los acondicionadores de aire, permanecen bloqueados durante cinco minutos como mínimo o hasta que reciben una solicitud de puesta en marcha del acondicionador de aire.

PRUEBA DEL SISTEMA DE GESTIÓN DE ENERGÍA ELÉCTRICA

Con el generador en posición "Auto", gire el seccionador de servicio que alimenta el conector del conector a la posición "Off". El generador se pondrá en marcha y el conector hará la transferencia a alimentación desde el generador.

Pulse el botón de prueba de la tarjeta de control del sistema de gestión de energía eléctrica. Al pulsar el botón, se excitará un relé. Cada vez que se pulse el botón, se desexcitará el relé anteriormente excitado y se excitará el relé siguiente.

Pulse el botón de prueba una vez y se excitará el relé B2. Pulse de nuevo el botón de prueba y se desexcitará el relé B2 y se excitará el relé C1. Este proceso continuará hasta que se hayan probado todos los relés o si no se pulsar el botón de prueba durante un período de 30 segundos, la secuencia de pruebas se interrumpirá y el sistema volverá a control automático.

Para volver a utilizar la tensión de la red pública, gire el seccionador de servicio que alimenta el conector a la posición "On".

Si Necesita Llamar a Fábrica

Antes de ponerse en contacto con Briggs and Stratton en relación con el servicio o reparación de este sistema de gestión de energía eléctrica, tome nota del número de modelo y número de serie que figuran en la calcomanía de datos de la unidad situada en el interior de la caja.

A contacto Briggs & Stratton, llame al 1-800-743-4115, entre las 8:00 AM y las 5:00 PM hora del centro.

REPARACION DE AVERIAS

REPARACION DE AVERIAS

Problema	Causa	Accion
Las cargas supervisadas (acondicionador de aire, etc.) no funcionan cuando el generador suministra energía	1. Los contactos A-A o B-B no funcionan correctamente.	1A. Compruebe si los contactos A-A y B-B funcionan correctamente B. Verifique el cableado de control de la carga externa. C. Compruebe si los haces de cables entre tarjetas están conectados correctamente. D. Compruebe que hay 24V CA en uno de los terminales. E. Asegúrese de que ha transcurrido el bloqueo de 5 minutos. F. Asegúrese de que ha transcurrido el retardo de tiempo de puesta en marcha del acondicionador de aire.
	2. La carga del generador es excesiva.	2. Reduzca la carga del generador.
	3. El transformador de corriente no conectado.	3. Conecte el transformador de corriente.
	4. El transformador de corriente está averiado.	4. Reemplace el transformador de corriente.
	5. Posición LED permanece lit constantemente.	5. Contacte el distribuidor de servicio autorizado.

HOJA DE TRABAJO

HOJA DE TRABAJO DE CARGAS ELÉCTRICAS

Prioridad	Aparatos eléctricos de 120 V CA	Prioridad	Aparatos eléctricos de 240 V CA
	Acondicionador de aire de ventana 1		Acondicionador de aire central 1
	Acondicionador de aire de ventana 2		Acondicionador de aire central 2
	Acondicionador de aire de ventana 3		Horno eléctrico/estufa
	Refrigerador 1		Secador
	Refrigerador 2		Bomba de pozo
	Congelador 1		Bañera con calefacción
	Congelador 2		Calentador de piscina
	Microondas		Calentador de agua
	Cuarto de baño		Otros: _____
	Calentador auxiliar		Otros: _____
	Sistema de cine en casa		Otros: _____
	Calentador del garaje		
	Calentador de agua del fregadero		
	Bomba de aspiración de aguas residuales		
	Otros: _____		
	Otros: _____		
	Otros: _____		

IMPORTANTE: NO conecte el horno ni la bomba de sumidero al sistema de gestión de energía eléctrica.

NOTAS

POLÍTICA DE GARANTÍA PARA EL PROPIETARIO DEL CONECTADOR DE BRIGGS & STRATTON POWER PRODUCTS GROUP, LLC

Fecha de entrada en vigor: 1 de Noviembre de 2005. Sustituye a todas las garantías sin fecha y a las de fecha anterior al 1 de Noviembre de 2005

GARANTÍA LIMITADA

Briggs & Stratton Power Products Group, LLC reparará o sustituirá sin cargo alguno cualquier componente del equipo que presente defectos de materiales y/o mano de obra. Los gastos de transporte de las producto enviadas para reparar o sustituir conforme a los términos de esta garantía correrán a cargo del comprador. El periodo de vigencia y las condiciones de esta garantía son los que se estipulan a continuación. Para obtener servicio en garantía, localice el distribuidor de servicio autorizado más próximo en nuestro mapa de distribuidores, en www.briggspowerproducts.com.

NO EXISTE NINGUNA OTRA GARANTÍA EXPLÍCITA. LAS GARANTÍAS IMPLÍCITAS, INCLUIDAS LAS DE COMERCIABILIDAD O IDONEIDAD PARA UN FIN CONCRETO, SE LIMITAN A UN AÑO DESDE LA FECHA DE COMPRA O AL LÍMITE DE TIEMPO PERMITIDO POR LA LEY. QUEDAN EXCLUIDAS TODAS LAS GARANTÍAS IMPLÍCITAS QUEDA EXCLUIDA LA RESPONSABILIDAD POR DAÑOS SECUNDARIOS Y DERIVADOS HASTA EL LÍMITE PERMITIDO POR LA LEY. Algunos países o estados no permiten limitar la duración de una garantía implícita ni excluir o limitar los daños secundarios y derivados. Por tanto, es posible que las limitaciones y exclusiones mencionadas no sean aplicables en su caso. Esta garantía le otorga determinados derechos legales y es posible que tenga otros derechos que pueden variar de un país o estado a otro.

PERÍODO DE GARANTÍA

Uso del consumidor	3 Años
Uso comercial	ninguno

El periodo de garantía comienza en la fecha de compra del primer consumidor o usuario comercial final y se prolonga durante el tiempo especificado en la siguiente tabla. "Uso del consumidor" significa uso doméstico personal por parte de un consumidor final. "Uso comercial" significa cualquier otro uso, incluidos los usos con fines comerciales, de generación de ingresos o alquiler. Una vez que el equipo se haya usado con fines comerciales, se considerará como equipo de uso comercial a efectos de esta garantía. Los equipos utilizados para suministrar energía en sustitución de un servicio público no pueden acogerse a esta garantía.

NO ES NECESARIO REGISTRAR LA GARANTÍA PARA OBTENER SERVICIO DE BRIGGS & STRATTON PRODUCTS. GUARDE SU RECIBO DE COMPRA. SI NO APORTA LA PRUEBA DE LA FECHA DE COMPRA INICIAL, SE UTILIZARÁ LA FECHA DE FABRICACIÓN DEL PRODUCTO PARA DETERMINAR EL PERÍODO DE GARANTÍA.

ACERCA DE LA EQUIPO GARANTÍA

Esperamos que disfrute de nuestra garantía y le pedimos disculpas por las molestias causadas. Cualquier distribuidor de servicio autorizado puede llevar a cabo reparaciones en garantía. La mayoría de las reparaciones en garantía se gestionan normalmente, pero algunas veces la solicitud de servicio en garantía puede no ser procedente. Por ejemplo, la garantía no será válida si el equipo presenta daños debidos al mal uso, la falta de mantenimiento, el transporte, la manipulación, el almacenamiento o la instalación inadecuados. De manera similar, la garantía quedará anulada si se ha borrado la fecha de fabricación o el número de serie del equipo, o si el equipo ha sido alterado o modificado. Durante el periodo de garantía, el distribuidor de servicio autorizado podrá reparar o sustituir, a su libre elección, cualquier pieza que, previa inspección, sea defectuosa en condiciones normales de uso y servicio. Esta garantía no cubre las reparaciones y equipos que se detallan a continuación:

- **Desgaste normal:** Al igual que cualquier otro aparato mecánico, los equipos de uso en exteriores necesitan piezas y mantenimiento periódicos para funcionar correctamente. Esta garantía no cubre las reparaciones cuando el uso normal haya agotado la vida útil de una pieza concreta del equipo.
- **Instalación y mantenimiento:** Esta garantía no cubre los equipos ni las piezas cuya instalación sea incorrecta o no haya sido autorizada, ni aquellos que hayan sido objeto de cualquier tipo de alteración, mal uso, negligencia, accidente, sobrecarga o mantenimiento, reparación o almacenamiento inadecuados que, a nuestro juicio, haya afectado negativamente a su funcionamiento y su fiabilidad. La garantía tampoco cubre el mantenimiento normal, como los ajustes y la limpieza y cambio de los fusibles.
- **Otras exclusiones:** También quedan excluidos de esta garantía el desgaste de los artículos tales y los daños derivados de accidentes, uso indebido, modificaciones, alteraciones, servicio inadecuado. Los accesorios quedan excluidos de la garantía del producto. Esta garantía excluye los fallos debidos a hechos fortuitos y a otros acontecimientos de fuerza mayor que escapan al control del fabricante. También se excluyen los equipos usados o reacondicionados y los destinados a demostraciones.

BRIGGS & STRATTON POWER PRODUCTS GROUP, LLC
JEFFERSON, WI, EE.UU

